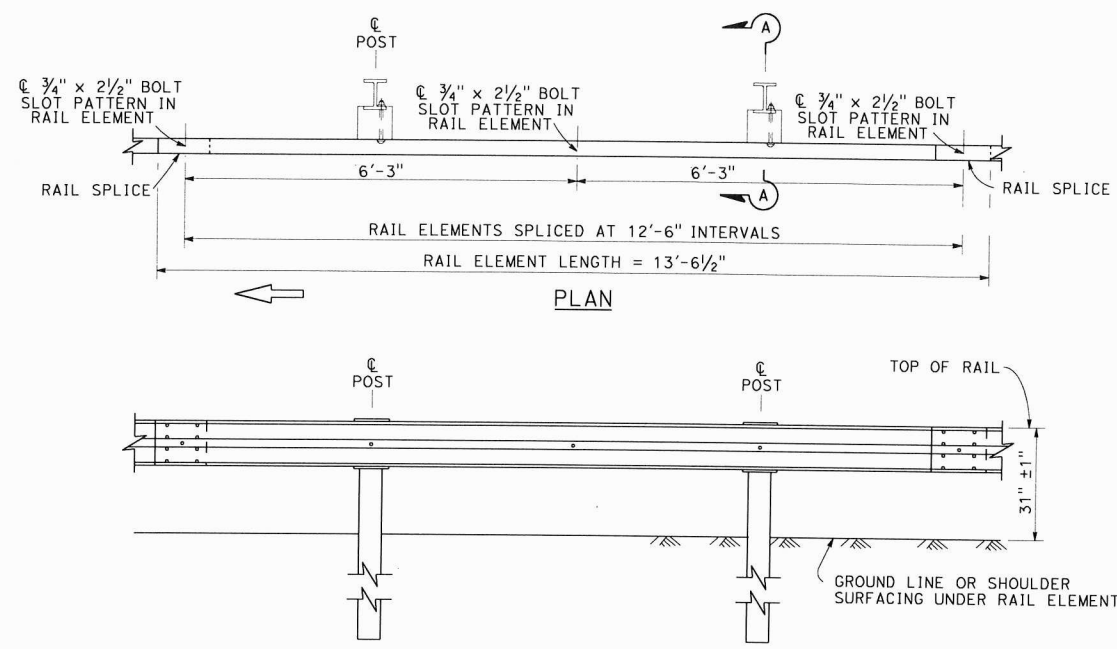
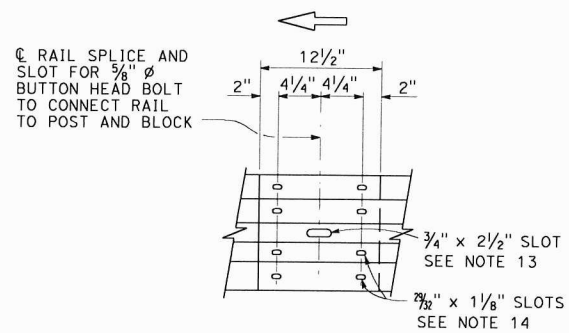


58



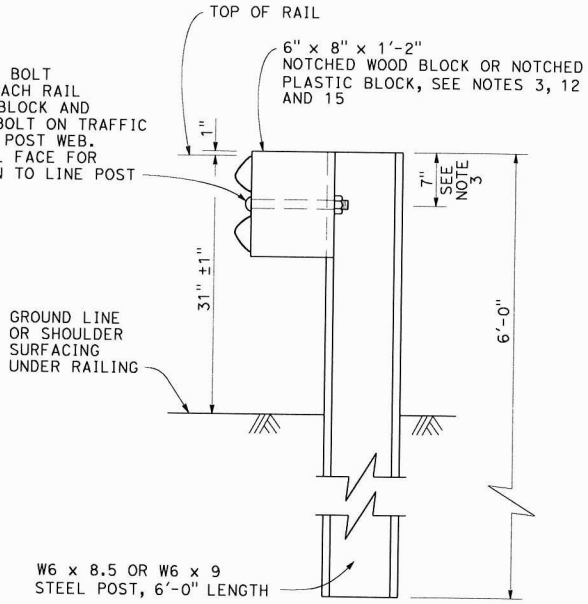
MIDWEST GUARDRAIL SYSTEM WITH STEEL POSTS AND NOTCHED WOOD OR NOTCHED RECYCLED PLASTIC BLOCKS



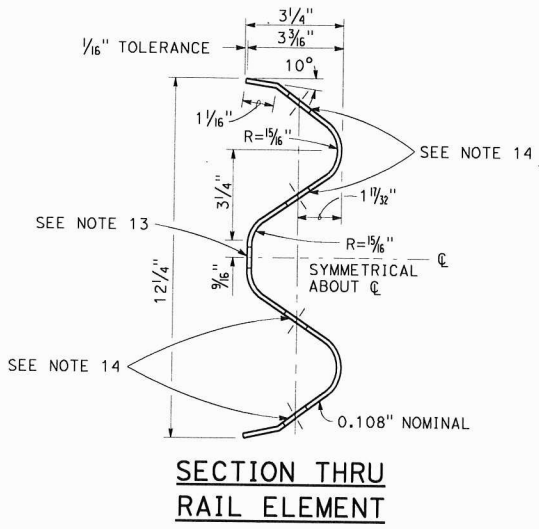
RAIL ELEMENT SPLICE DETAIL

- a) Connect the overlapped end of the rail elements with 5/8" ϕ x 1 3/8" button head oval shoulder splice bolts inserted into the 3/8" x 1 1/8" slots and bolted together with 5/8" ϕ recessed hex nuts. Recess of hex nut points toward rail element. A total of 8 bolts and nuts are to be used at each rail splice connection.
- b) The ends of the rail elements are to be overlapped in the direction of traffic (see details).
- c) Where end cap is to be attached to the end of a rail element, a total of 4 of the above described splice bolts and nuts are to be used.

5/8" ϕ BUTTON HEAD BOLT WITH Hex NUT. ATTACH RAIL ELEMENT TO WOOD BLOCK AND STEEL POST WITH BOLT ON TRAFFIC APPROACH SIDE OF POST WEB. NO WASHER ON RAIL FACE FOR BOLTED CONNECTION TO LINE POST



SECTION A-A TYPICAL STEEL LINE POST INSTALLATION
See Note 4



SECTION THRU RAIL ELEMENT

NOTES:

1. For details of wood post installations, see Standard Plan A77L1.
2. For details of standard hardware used to construct MGS, see Standard Plan A77M1.
3. For details of steel posts and notched wood blocks used to construct MGS, see Standard Plan A77N2.
4. For additional installation details, see Standard Plan A77N3.
5. MGS post spacing to be 6'-3" center to center, except as otherwise noted.
6. For MGS typical layouts, see the A77P, A77Q and A77R Series of Standard Plans.
7. If railing is connected to terminal system end treatment, use 31" height terminal system end treatment.
8. For MGS end anchor details, see Standard Plans A77S1 and A77T2.
9. For details of MGS transition to bridge railing, see Standard Plan A77U4.
10. For additional details of MGS connection to bridge railings, see Standard Plans A77U1, A77U2 and A77V1.
11. For dike positioning and MGS delineation details, see Standard Plan A77N4.
12. Notched face of block faces steel post.
13. Slotted hole for bolted connection of rail element to block and post.
14. Slotted holes for splice bolts to overlap ends of rail element.
15. 6" x 12" x 1'-2" block must be used with 6" dike.

DIST.	COUNTY	ROUTE	POST MILES TOTAL PROJECT	SHEET NO.	TOTAL SHEETS

Randell D. Hiatt
REGISTERED CIVIL ENGINEER

May 31, 2018
PLANS APPROVAL DATE

THE STATE OF CALIFORNIA OR ITS OFFICERS OR AGENTS SHALL NOT BE RESPONSIBLE FOR THE ACCURACY OR COMPLETENESS OF SCANNED COPIES OF THIS PLAN SHEET.

REGISTERED PROFESSIONAL ENGINEER
Randell D. Hiatt
No. C50200
Exp. 6-30-19
CIVIL
STATE OF CALIFORNIA

STATE OF CALIFORNIA
DEPARTMENT OF TRANSPORTATION

MIDWEST GUARDRAIL SYSTEM STANDARD RAILING SECTION (STEEL POST WITH NOTCHED WOOD OR NOTCHED RECYCLED PLASTIC BLOCK)

NO SCALE

A77L2

2018 STANDARD PLAN A77L2