

**WIRE MESH GATE INSTALLATION FOR EITHER WOOD OR METAL POST FENCES**

WIRE MESH GATE POST (SEE NOTE 3)		
GATE WIDTHS	NOMINAL Dia	WEIGHT PER FOOT
UP THRU 6'-0"	2 1/2"	5.79 LB
OVER 6'-0" THRU 12'-0"	3 1/2"	9.11 LB
OVER 12'-0" THRU 18'-0"	5"	14.62 LB
OVER 18'-0" TO 24'-0" Max	6"	18.97 LB

DIST	COUNTY	ROUTE	POST MILES TOTAL PROJECT	SHEET No.	TOTAL SHEETS

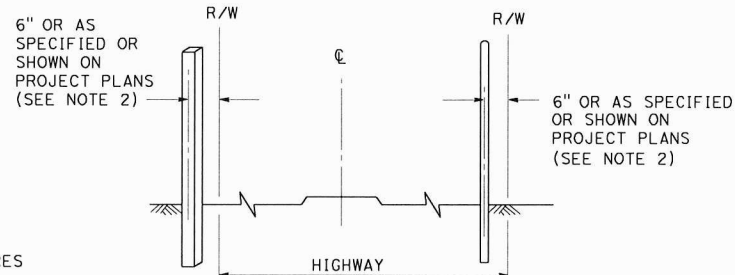
*B. Valizadeh*  
REGISTERED CIVIL ENGINEER

May 31, 2018  
PLANS APPROVAL DATE

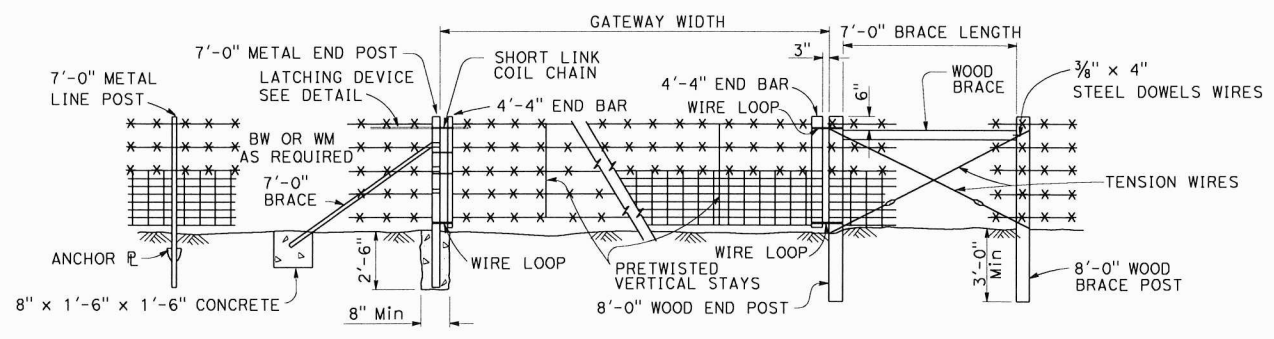
THE STATE OF CALIFORNIA OR ITS OFFICERS OR AGENTS SHALL NOT BE RESPONSIBLE FOR THE ACCURACY OR COMPLETENESS OF SCANNED COPIES OF THIS PLAN SHEET.

REGISTERED PROFESSIONAL ENGINEER  
N. Reza Valizadeh  
No. C51902  
Exp. 6-30-18  
CIVIL  
STATE OF CALIFORNIA

- NOTES:**
1. Metal end post and end bar shown. Use wood end post and end bar for wood post installation.
  2. Offset to be 2'-0" at monument locations, measured at right angles to R/W lines. Taper to achieve offset to be at least 20'-0" long.
  3. Post dimensions and weights are minimums. Larger sizes may be used on approval of the Engineer.

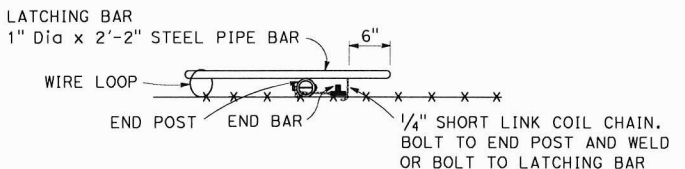


**FENCE LOCATION**

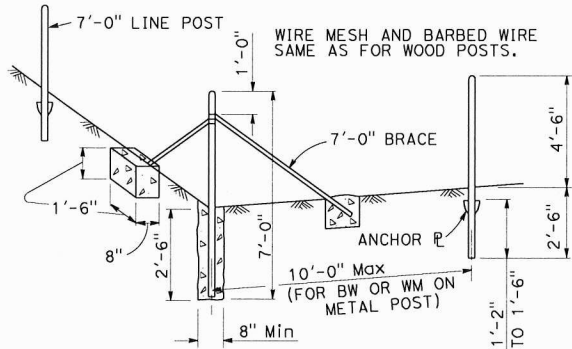


**METAL POST INSTALLATION**      **WOOD POST INSTALLATION**

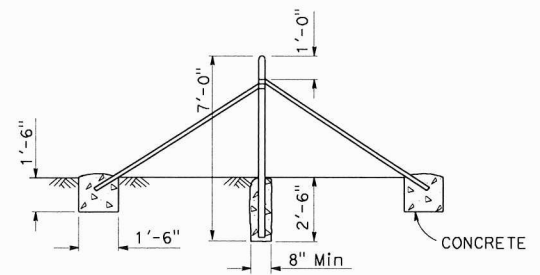
**GATEWAY**



**LATCHING DEVICE FOR GATEWAYS**  
See Note 1

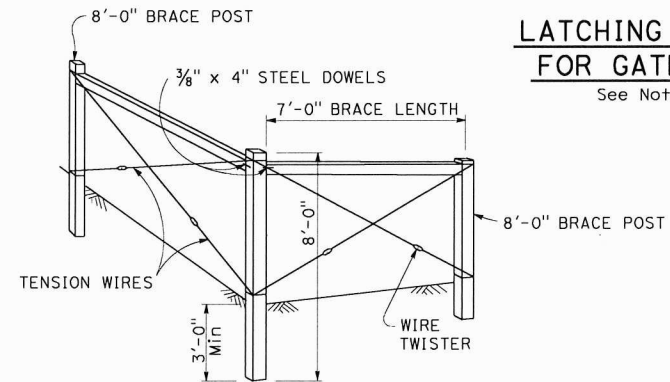


**END AND CORNER POST ASSEMBLY**

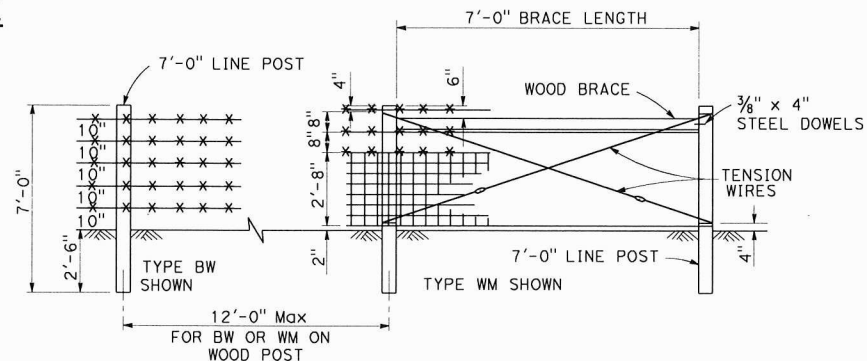


**PULL POST ASSEMBLY**

At 660'-0" maximum intervals for WM fence.  
At 1320'-0" maximum intervals for BW fence.



**END AND CORNER POST ASSEMBLY**



**PULL POST ASSEMBLY**

At 660'-0" maximum intervals for WM fence.  
At 1320'-0" maximum intervals for BW fence.

**WOOD POST INSTALLATION**

**METAL POST INSTALLATION**

**BARBED WIRE AND WIRE MESH FENCES**

NO SCALE

**A86**

2018 STANDARD PLAN A86

143