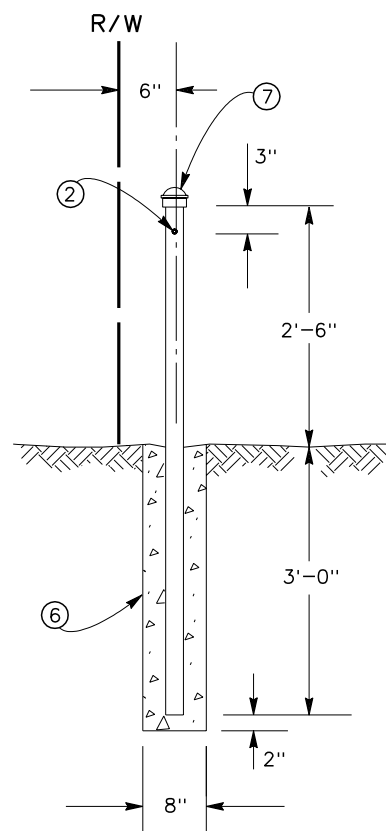


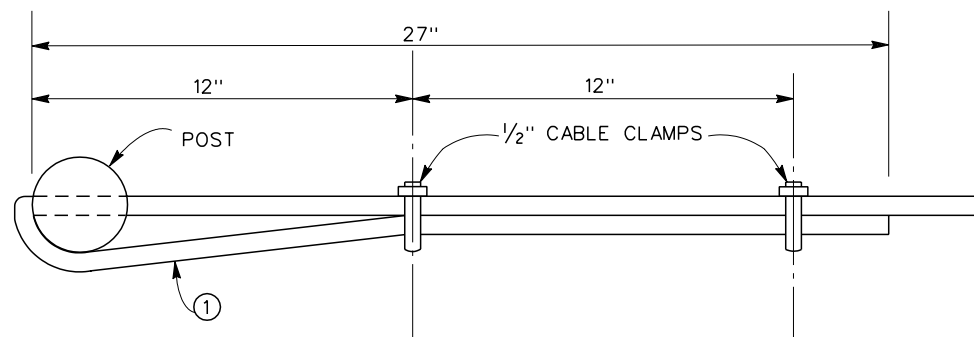
**DETAIL OF FENCING FASTENING & BRACING**

N.T.S.



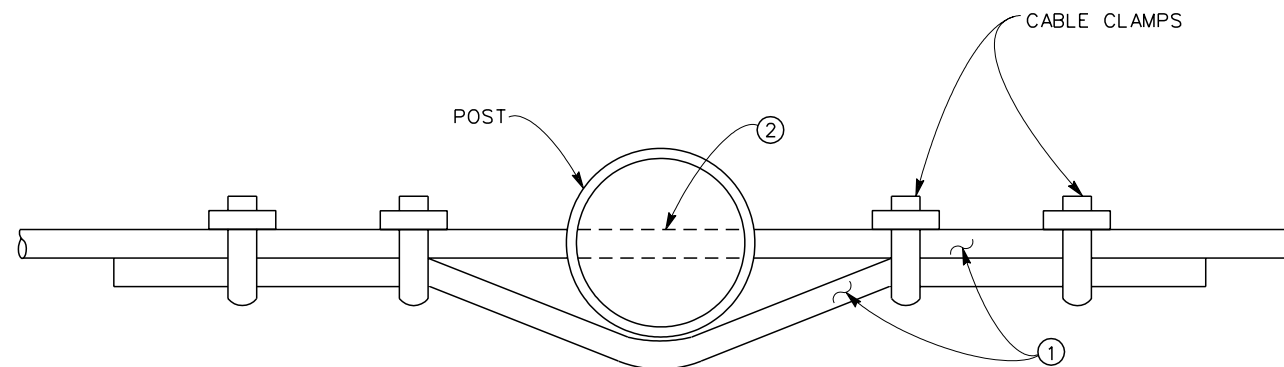
**TYPICAL SECTION**

N.T.S.



**CABLE FASTENER DETAIL**

N.T.S.

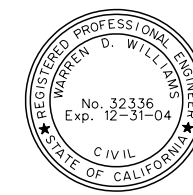


**SECTION A-A**

(PIGTAIL)  
(TYPICAL EVERY FOURTH POST)  
N.T.S.

**GENERAL NOTES**

- ① 1/2" DIAMETER CABLE.
- ② 3/4" DIAMETER HOLES FOR CABLE THRU CENTER OF POSTS. PROVIDE ADEQUATE TENSION IN THE CABLE TO MINIMIZE SAG BETWEEN SPANS.
- ③ LINE POSTS 2 3/8" O.D.
- ④ GATE, END AND CORNER POSTS 2 3/8" O.D.
- ⑤ DIAGONAL BRACE AT EVERY ANGLE POINT AND IN END SPANS 2 3/8" O.D. WELDED IN PLACE.
- ⑥ 2000 PSI (4 SACK CONC.) AT EVERY 4TH POST, EVERY ANGLE POINT, BRACE POINT AND AT ENDS.
- ⑦ CAPS ON ALL POSTS.
8. THERE SHOULD BE ENOUGH TENSION IN THE CABLE TO MINIMIZE SAG BETWEEN SPANS.
9. THE TERM "ENGINEER", WHERE IT APPEARS HEREON, SHALL BE TAKEN TO MEAN THE AUTHORIZED REPRESENTATIVE OF THE DISTRICT.
10. RAIL MAY BE USED IN PLACE OF POSTS AS APPROVED BY THE ENGINEER.
11. USED CABLE, RAIL OR POSTS MAY BE USED AS APPROVED BY THE ENGINEER. USED CABLE SHALL BE 1/2" MIN. DIA.



RIVERSIDE COUNTY FLOOD CONTROL  
AND  
WATER CONSERVATION DISTRICT  
APPROVED BY: *Warren D. Williams*  
CHIEF ENGINEER  
DATE: April 5, 2004  
R.C.E. NO. 32336

CABLE FENCE DETAIL

STANDARD DRAWING NUMBER M826