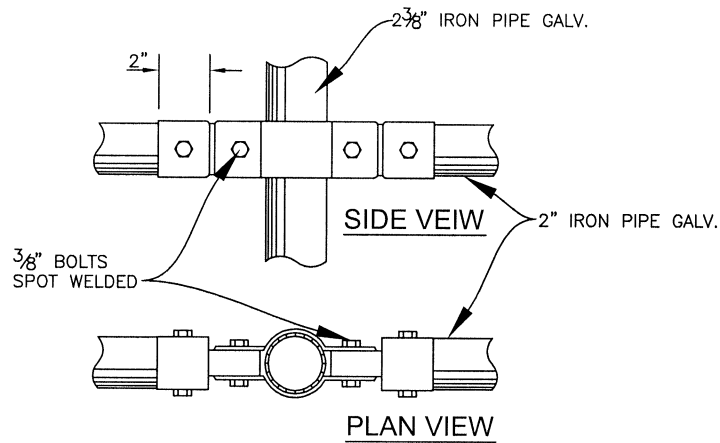


TRANSVERSE PROTECTION BAR



DETAIL "A"

NOTES:

1. ALL CONCRETE SHALL BE CLASS 3.
2. SEE PLATE D-10 FOR ADDITIONAL FENCE DETAILS.
3. ALL EXPOSED METAL PARTS ARE TO BE GALV PRIOR TO INSTALLATION.
4. HARDWARE IS TO BE TACK WELDED AND GROUND SMOOTH AND GALV.
5. SEE PLATE D-2 FOR RODENT BARRIER DETAILS.

PLOTTED: 02/26/2010

I:\Drafting\Archive\Dev_Std\Rev'd_09\Disk_2\2\D-12 Flood Zone.dwg

<table border="1" style="width: 100%; border-collapse: collapse;"> <thead> <tr> <th style="text-align: left;">Revisions</th> <th style="text-align: left;">Date</th> <th style="text-align: left;">Desc</th> </tr> </thead> <tbody> <tr> <td> </td> <td> </td> <td> </td> </tr> <tr> <td> </td> <td> </td> <td> </td> </tr> <tr> <td> </td> <td> </td> <td> </td> </tr> <tr> <td> </td> <td> </td> <td> </td> </tr> <tr> <td> </td> <td> </td> <td> </td> </tr> </tbody> </table>	Revisions	Date	Desc																<p style="text-align: center;">6-5-2009</p> <p>DESIGNED BY: K.L.H.</p> <p>DRAWN BY: B.D.H.</p> <p>CHECKED BY: A.J.L.</p>	<p>COUNTY OF KERN STATE OF CALIFORNIA DEVELOPMENT STANDARD</p>	<p>FLOOD ZONE FENCING SPECIFICATIONS</p>	<p>PLATE NO. D-12</p>
Revisions	Date	Desc																				