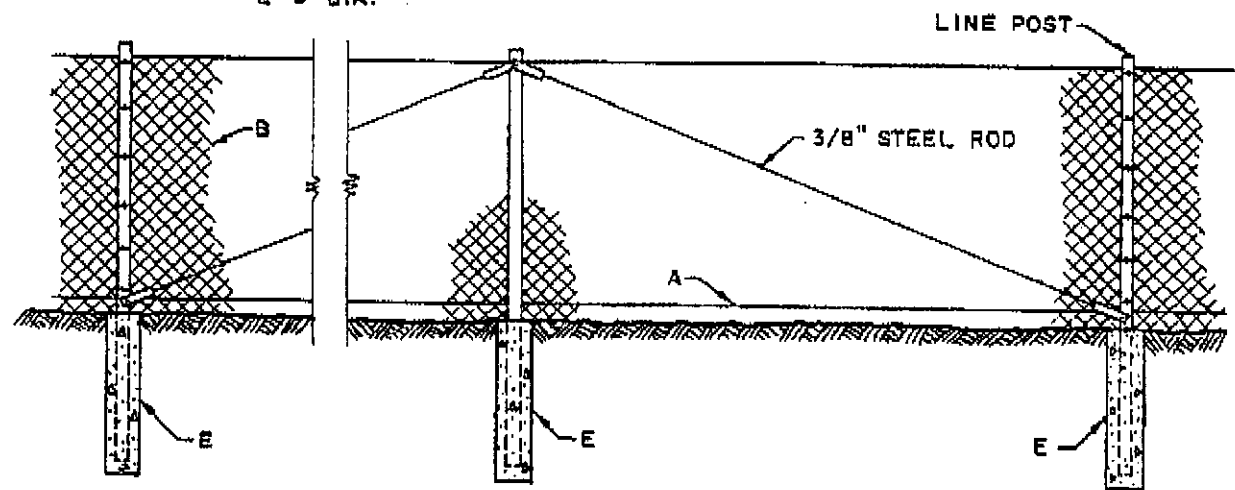


**END BRACE**

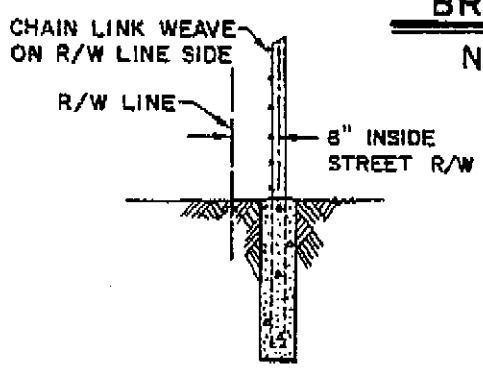
- A-TENSION WIRE NUMBER 10 GAGE MINIMUM
- B-CHAIN LINK FENCE FABRIC NUMBER 9 GAGE MINIMUM
- C-1/8" X 1" BAND AT 1' INTERVAL
- D-3/16" X 3/4" X 6' STEEL TENSION BAR
- E-9" DIA.



**BRACE EVERY 500'**

**NOTES:**

1. EACH POST SHALL BE CAPPED WITH A MALLEABLE IRON POST CAP, EXCEPT WHERE BARBED WIRE IS TO BE USED. THEN EACH POST SHALL BE CAPPED WITH A GALVANIZED MALLEABLE IRON 3 STRAND BARBED WIRE ARM B CAP.
2. MATERIALS AND CONSTRUCTION OF FENCE SHALL CONFORM TO STATE OF CALIFORNIA, STANDARD SPECIFICATIONS, UNLESS SHOWN OTHERWISE.



**DETAIL**

SAN BERNARDINO COUNTY ROAD DEPARTMENT		RIGHT OF WAY FENCE	300
DATE P.V.C. 7-89	M. A. Nicholas COUNTY ENGINEER		