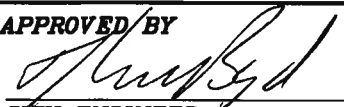


**POST DETAIL**

**NOTES**

1. All parts of the fence to be galvanized per Std Specifications for Public Works Construction.
2. Corner posts, 1.625" braces, and .375" rods and turnbuckle to be installed at corners of 30° deflection or greater.
3. Line posts to be double braced and turnbuckled every 500' in straight sections of fence (See sheet 2 of 2).
4. Braces to be 1.25" pipe, 2.27 lbs/ft - extending from corner, gate, or terminal posts to first adjacent line post, and securely fastened to posts with pressed steel connections, then trussed with .375" diameter round rod and turnbuckled.
5. Top and bottom tension wires to be securely fastened to all posts and tied to fabric at 24" spaces.
6. The ground surface shall be filled and compacted to within 1" of bottom of fabric.
7. Mesh fabric to be tied per Std Specifications for Public Works Construction.
8. Line posts to have 45° arm and cap carrying 3 strands of galvanized barbed wire of 4 point pattern, each composed of 2 strands of 12½ GA wire if required.
9. For repair of damaged zinc coatings, see Std. Specifications for Public Works Construction.
10. When constructing a double gate, use horizontal braces on each side of the gates.
11. Top and bottom tension wires shall be fastened securely and terminated to line posts at each 500' bracing interval.

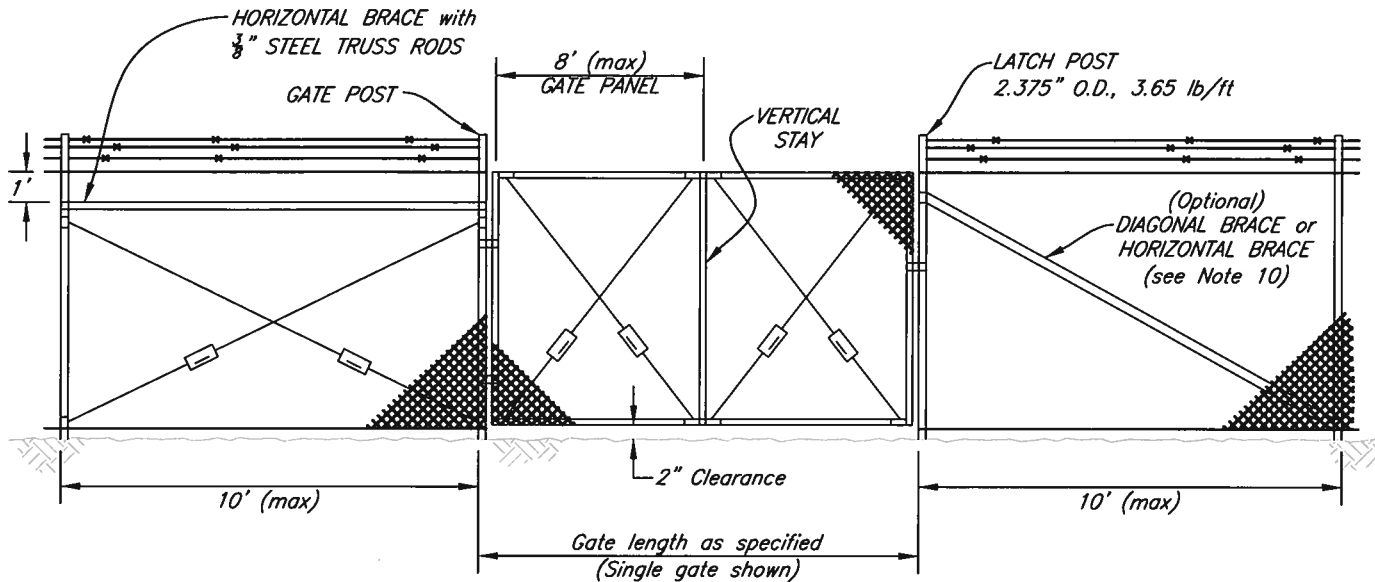
APPROVED BY  
  
 CITY ENGINEER  
 DATE 5/18/11

**CITY OF RIVERSIDE**  
 PUBLIC WORKS DEPARTMENT

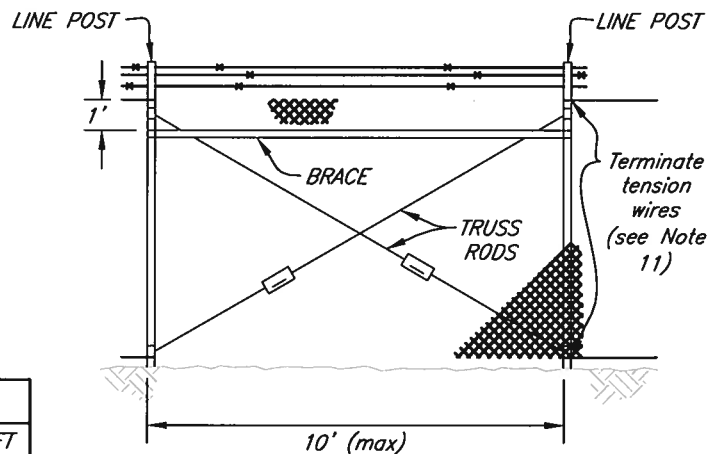
**CHAIN LINK FENCE**  
 (FOR FENCES UP TO 72" HIGH)

STANDARD DRAWING NO. 380

MARK	REVISIONS	APPR.	DATE



**GATE DETAIL**



Line posts at 500' maximum intervals, braced and trussed in both directions. See Note 11 for tension wire termination.

**LINE POST BRACING DETAIL**

GATES			
FRAME	OPENING	POST O.D.	POST WT/FT
1.9" O.D.	SINGLE TO 6' OR DBL. TO 12' INCL.	2.375"	3.65 lbs.
1.9" O.D.	SGL., OVER 6' TO 13' OR DOUBLE, OVER 12' TO 26' INCL.	4.000"	9.11 lbs.
1.9" O.D.	SINGLE, OVER 13' TO 18' OR DBL., OVER 26' TO 36' INCL.	6.625"	18.97 lbs.
1.9" O.D.	SGL., OVER 18' OR DOUBLE, OVER 36'	8.625"	24.70 lbs.

NOTE: Above dimensions and weights are minimum. Larger sizes may be used on approval of engineer.

APPROVED BY

*[Signature]*  
CITY ENGINEER

5/18/11  
DATE

CITY OF RIVERSIDE

PUBLIC WORKS DEPARTMENT

CHAIN LINK FENCE  
(FOR FENCES UP TO 72" HIGH)

STANDARD DRAWING NO. 380

Sheet 2 of 2

MARK	REVISIONS	APPR.	DATE