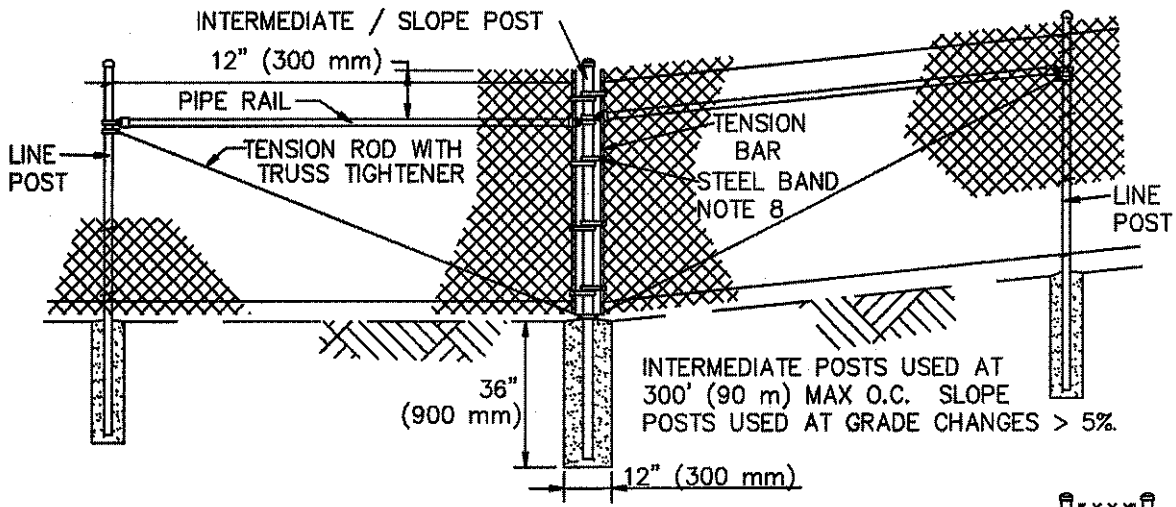
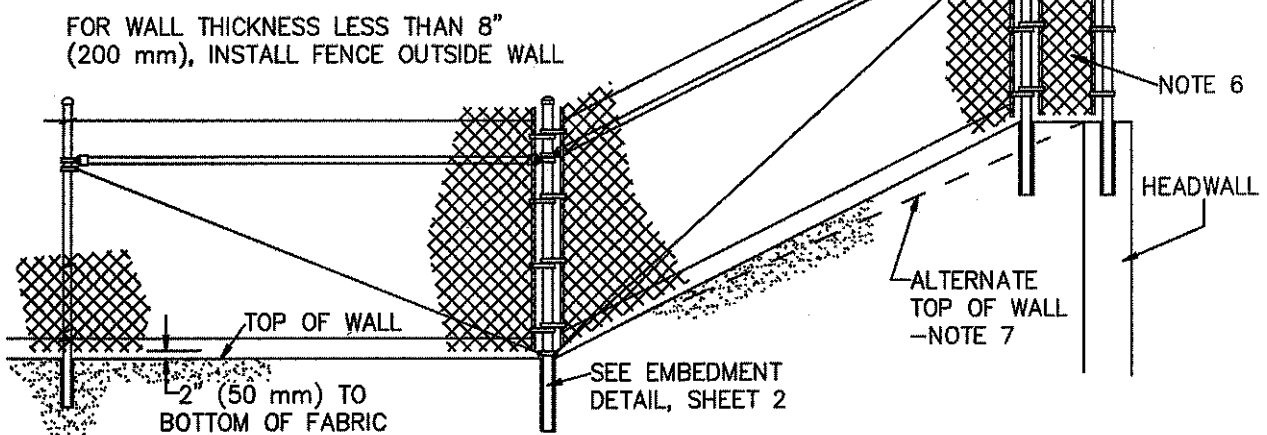


TYPICAL FENCE



INTERMEDIATE / SLOPE POST



CHANNEL WALL AND WINGWALL AT HEADWALL

STANDARD PLANS FOR PUBLIC WORKS CONSTRUCTION

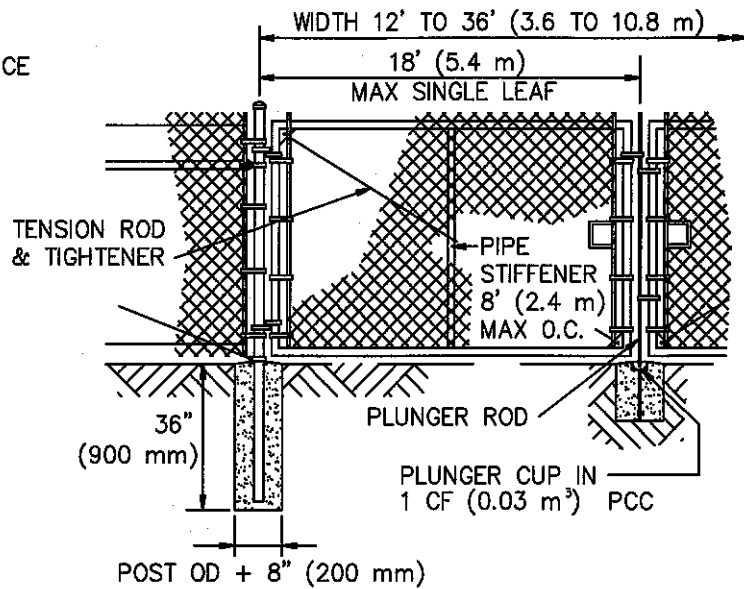
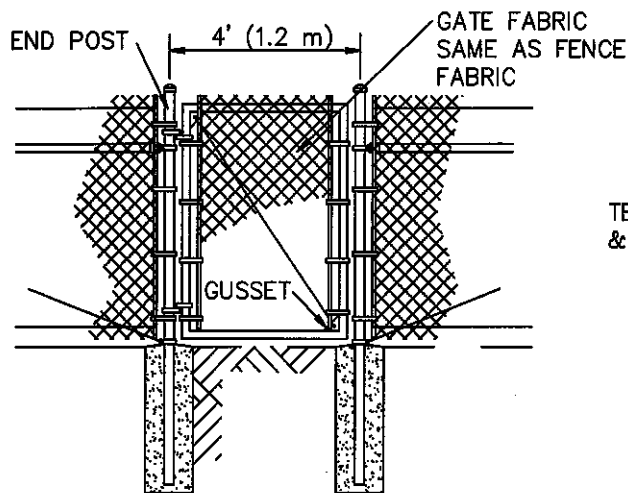
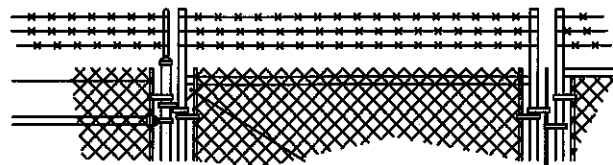
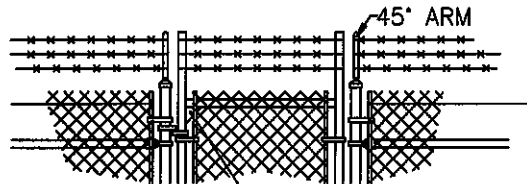
PROMULGATED BY THE PUBLIC WORKS STANDARDS INC. GREENBOOK COMMITTEE 1984 REV. 1996, 2005

CHAIN LINK FENCE AND GATES

STANDARD PLAN 600-3 SHEET 1 OF 3

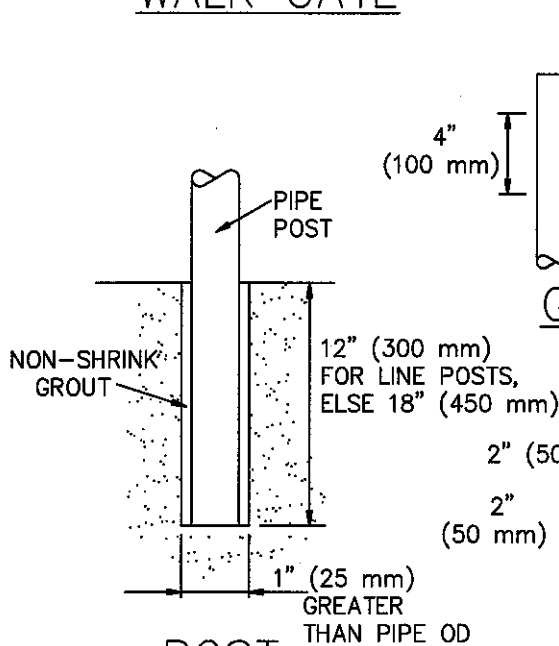
USE WITH STANDARD SPECIFICATIONS FOR PUBLIC WORKS CONSTRUCTION

BARBED WIRE - NOTE 4

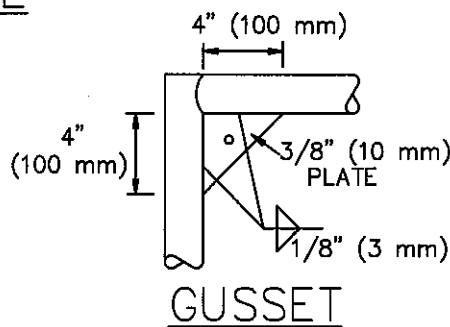


WALK GATE

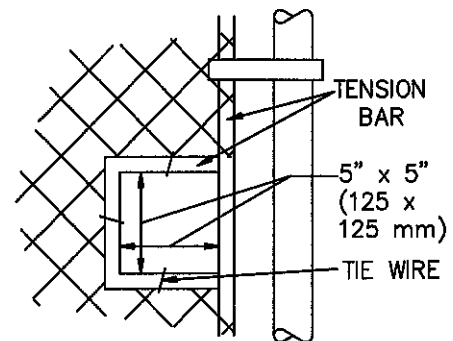
DRIVE GATE



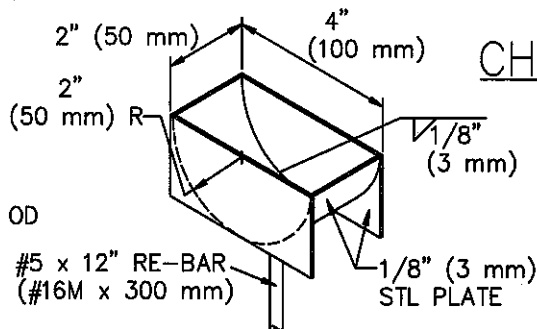
POST EMBEDMENT



GUSSET



CHAIN AND LOCK CUT-OUT



PLUNGER CUP ISOMETRIC

NOTES:

1. SECURE DRIVE-FIT GALVANIZED CAP TO POST WITH 1/4" (6 mm) ROUND-HEAD RIVET.
2. H DENOTES FABRIC WIDTH AND NOMINAL FENCE HEIGHT. $H = 5'$ (1.5 m) UNLESS OTHERWISE NOTED.
3. IF FENCE WITH TOP RAIL IS SPECIFIED, DELETE STEEL TENSION WIRE AT TOP, AND PIPE RAILS AT INTERMEDIATE, SLOPE, END AND CORNER POSTS. EXTEND TENSION ROD TO TOP RAIL.
4. BARBED WIRE SHALL BE USED ONLY WHEN SPECIFIED.
5. POST SPACING IS MAXIMUM 10' (3.0 m).
6. FILL CLEAR OPENINGS GREATER THAN 3" (75 mm) WITH FABRIC. FOR OPENINGS LESS THAN 18" (450 mm), TIE FABRIC TO POSTS.
7. USE ONE POST FOR COMBINED SLOPE AND CORNER POST IF TOP OF CHANNEL WALL IS CONSTRUCTED AS SHOWN FOR "ALTERNATE".
8. STEEL BANDS AT TENSION BARS SHALL BE 1/8" x 1" (3 x 25 mm), MINIMUM, SPACED AT MAXIMUM 16" (400 mm).
9. SECURE TENSION WIRES TO EACH LINE POST WITH TIE WIRES.