

WINGWALL FENCING DETAIL

NOTE:

DIMENSIONS SHOWN ON THE PLAN FOR METRIC AND ENGLISH UNITS ARE NOT EXACTLY EQUAL VALUES. IF METRIC UNITS ARE USED, ALL VALUES USED FOR CONSTRUCTION SHALL BE METRIC VALUES. IF ENGLISH UNITS ARE USED, ALL VALUES USED FOR CONSTRUCTION SHALL BE ENGLISH VALUES.

STDPLNS.DPW.6104-1-METRIC

LOS ANGELES COUNTY DEPARTMENT OF PUBLIC WORKS

BRIDGE FENCING DETAILS

STANDARD PLAN METRIC

APPROVED

Thomas A. Gudimov
DIRECTOR OF PUBLIC WORKS

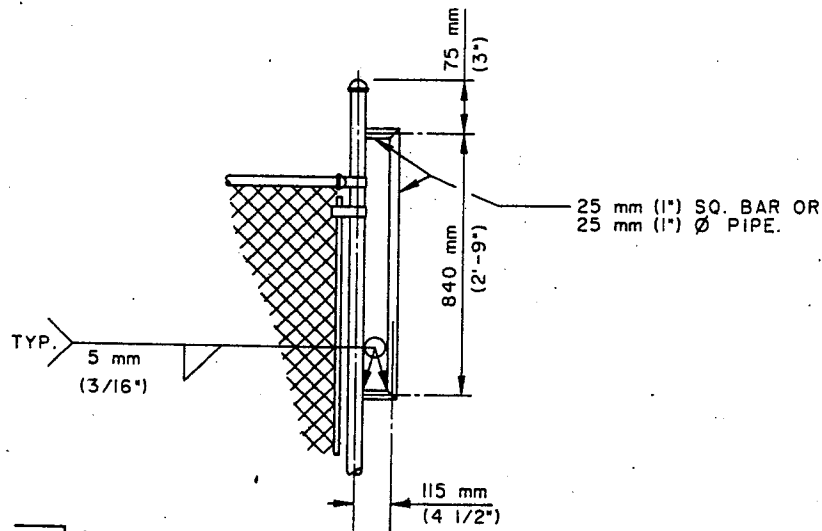
5/31/1992
DATE

1999

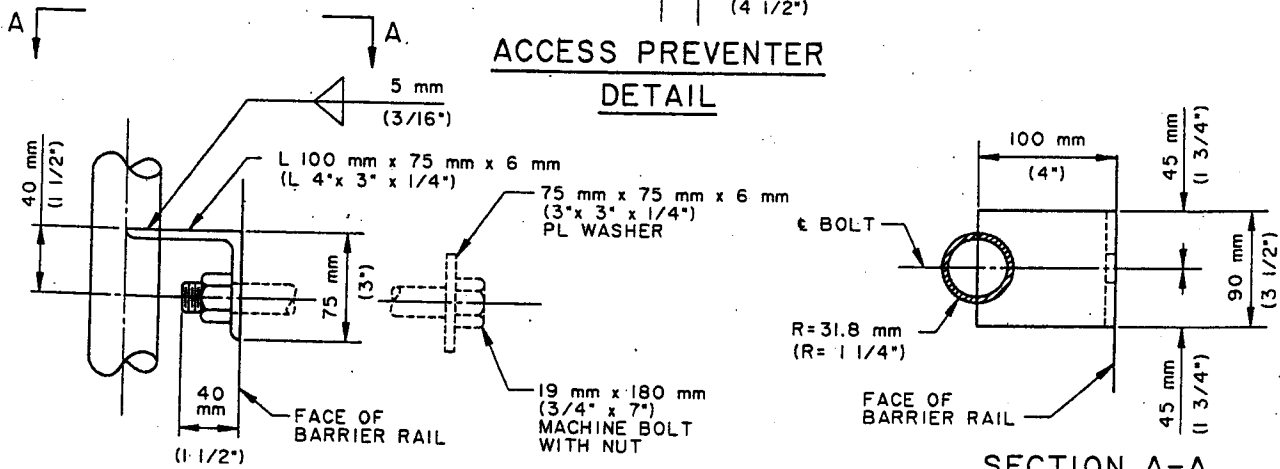
REVISIONS

6104-1

SHEET 1 OF 2

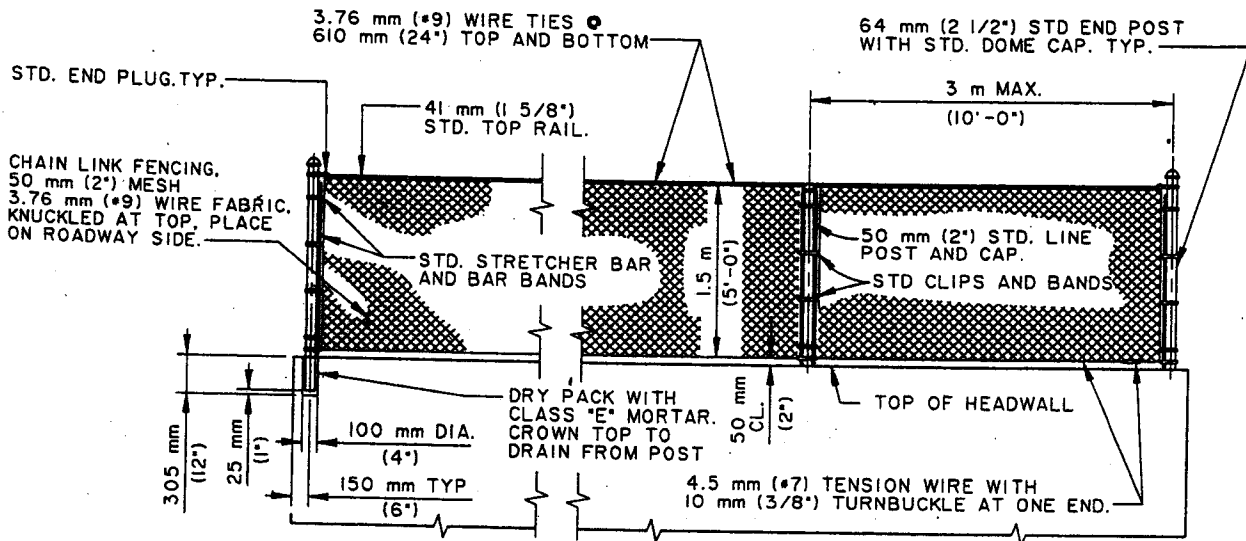


**ACCESS PREVENTER
DETAIL**



**FENCE POST
BRACKET DETAIL**

SECTION A-A



HEADWALL FENCING DETAIL

NOTE: ALL PARTS SHALL BE STANDARD AND GALVANIZED

LOS ANGELES COUNTY DEPARTMENT OF PUBLIC WORKS

BRIDGE FENCING DETAILS

STANDARD PLAN
METRIC

6104-1

SHEET 2 OF 2