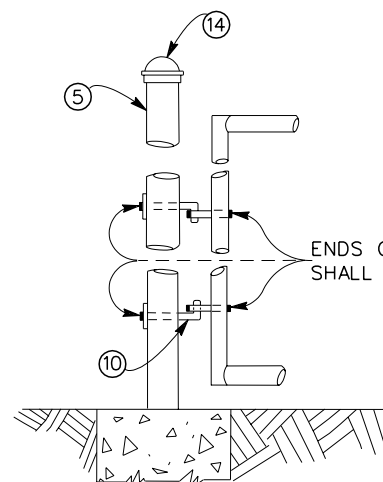
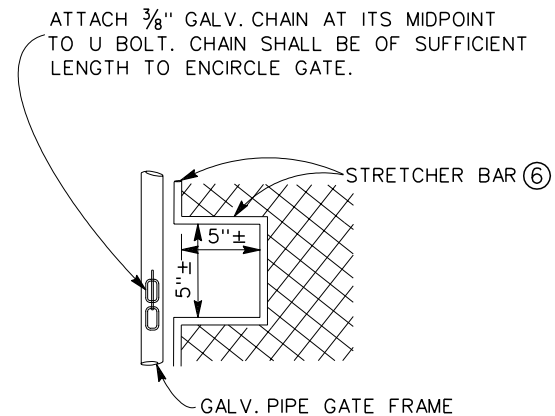


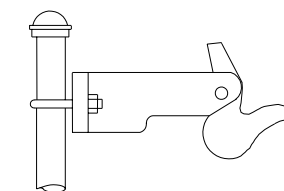
14' DOUBLE DRIVE GATE



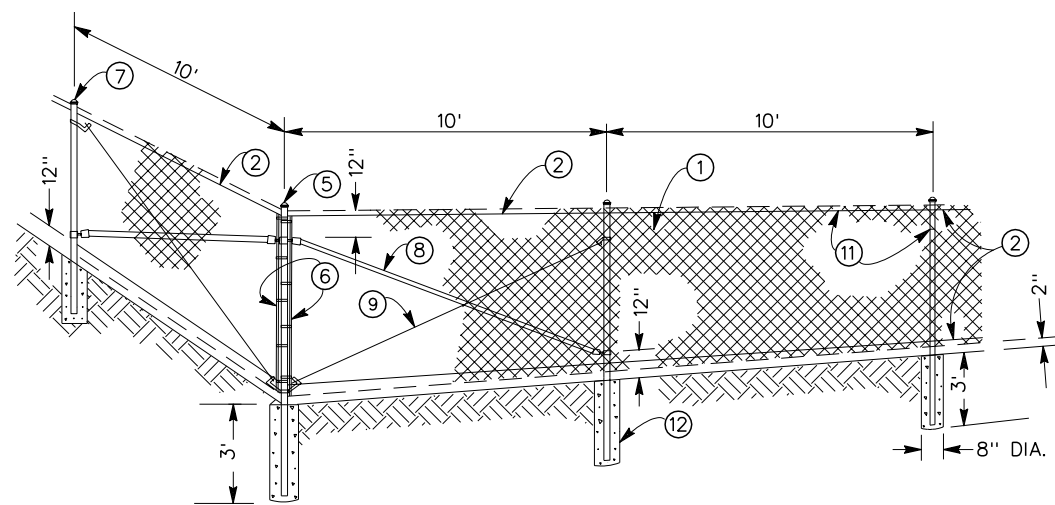
HINGE DETAIL



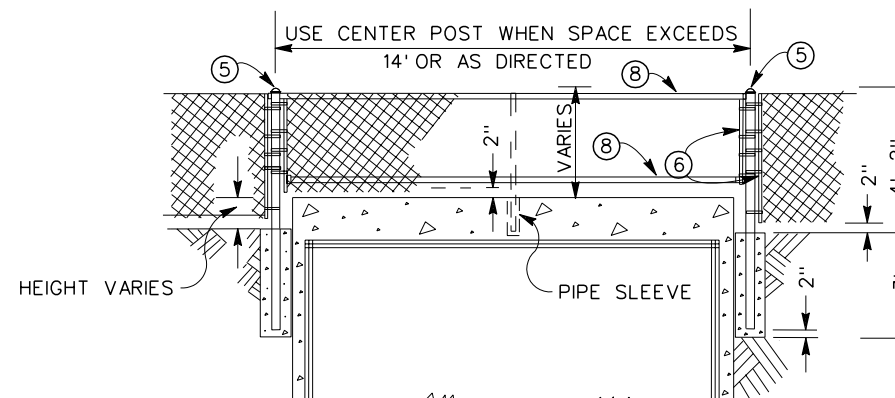
GATE LOCKING DETAIL



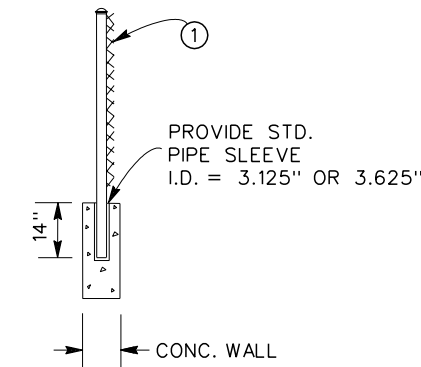
GATE KEEPER



END OR CORNER POST ASSEMBLY



HEADWALL FENCE ASSEMBLY



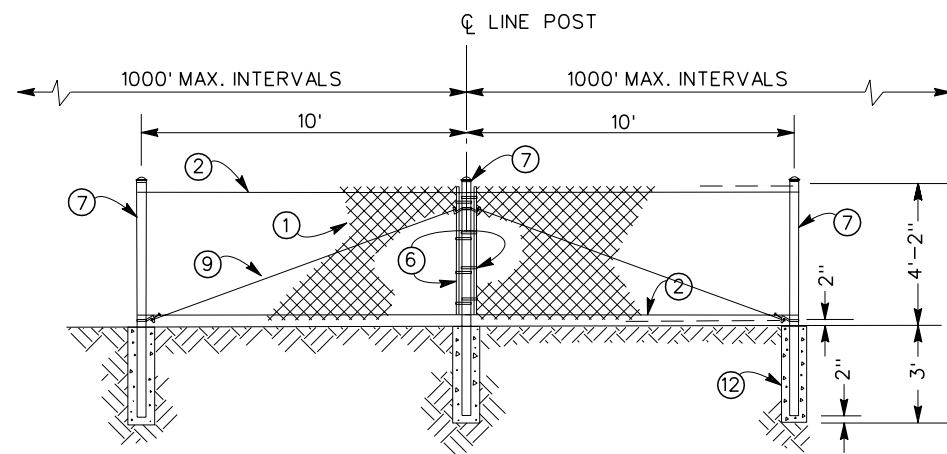
CHANNEL WALL FENCE

NOTE

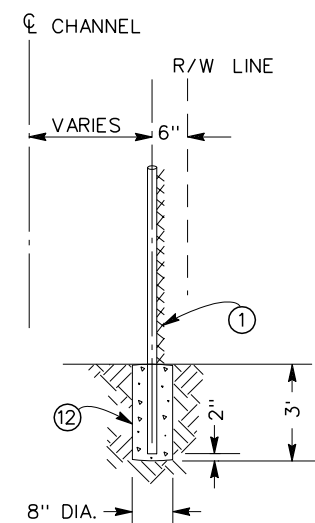
- ① CHAIN LINK FENCE 72" FABRIC (9 GAGE)
- ② 7 GAGE SPRING STEEL TENSION WIRE
- ③ 1.660" O.D. GALV. PIPE FOR GATE FRAME. TIE FABRIC TO TOP AND BOTTOM OF FRAME.
- ④ 1.660" O.D. GALV. STIFFENER.
- ⑤ GATE, END & CORNER POSTS 2.875" O.D.
- ⑥ STRETCHER BAR 3/16" X 3/4" MIN.
- ⑦ LINE POST 2.375" O.D.
- ⑧ BRACE REQUIRED ACROSS ALL HEADWALLS OR PARAPETS. 1.660" O.D.
- ⑨ 3/8" TENSION ROD WITH TENSION ADJUSTMENT.
- ⑩ HINGE BOLTS 5/8"
- ⑪ GAGE 11 WIRE TIES
- ⑫ 2000 p.s.i. (4 SACK CONC.)
- ⑬ PLUNGER ROD
- ⑭ CAPS ON ALL POSTS
- ⑮ GATE KEEPER

NOTE

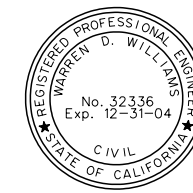
FENCING MATERIAL SHALL CONFORM TO SECTION 206-6 OF STD. SPEC. FOR PUBLIC WORKS CONSTRUCTION. LATEST EDITION EXCEPT THE FENCE FABRIC SHALL HAVE A KNUCKLED FINISH ON ONE EDGE AND A TWISTED AND BARBED FINISH ON THE OTHER EDGE.



TRUSS POST ASSEMBLY



FENCE LOCATION



RIVERSIDE COUNTY FLOOD CONTROL AND WATER CONSERVATION DISTRICT
 APPROVED BY: *Warren D. Williams*
 CHIEF ENGINEER
 DATE: April 5, 2004
 R.C.E. NO. 32336

CHAIN LINK FENCE DETAILS

STANDARD DRAWING NUMBER M801