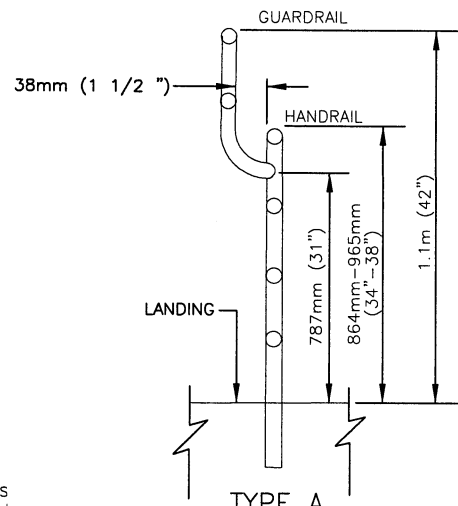
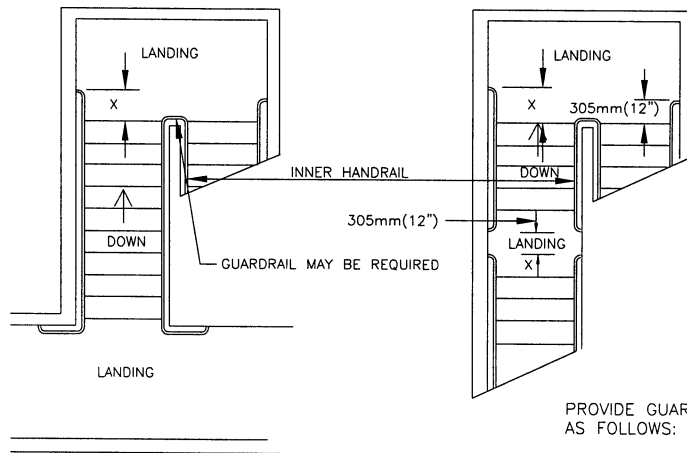


X IS THE MINIMUM HANDRAIL EXTENSION OF 12 INCHES PLUS THE WIDTH OF ONE TREAD AT EACH BOTTOM RISER.

NOTE: INNER HANDRAIL AT LANDINGS OF STAIRS THAT DOUBLE BACK OR IMMEDIATELY TURN SHALL BE CONTINUOUS, AND SHALL NOT EXTEND ONTO LANDING OR PATH OF TRAVEL.



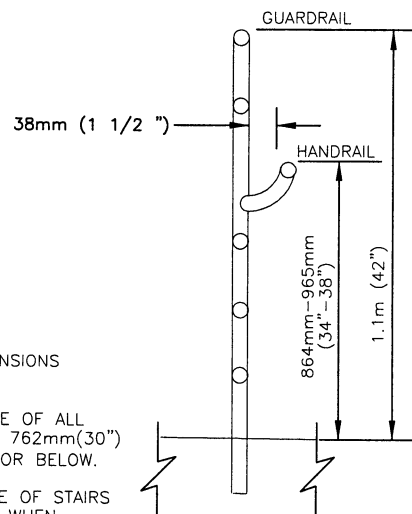
**TYPE A**  
**GUARDRAIL EXTENSION**



**STAIR HANDRAILS**

PROVIDE GUARDRAIL EXTENSIONS AS FOLLOWS:


1. TYPE A ON OPEN SIDE OF ALL LANDINGS MORE THAN 762mm(30") ABOVE GRADE OR FLOOR BELOW.
2. TYPE B ON OPEN SIDE OF STAIRS (INCLUDING LANDINGS) WHEN SPECIFIED.



**TYPE B**  
**GUARDRAIL EXTENSION**

**NOTES**

1. Post type guardrails, and handrails for stairs or landings 762mm(30") or less above grade or floor below shall have only one intermediate rail centered between the step nosing limit (or if specified the top of curb) and top of railing.
2. Post type guardrails, and handrails for stairs or landings more than 762mm(30") above grade or floor below shall have intermediate rails equally spaced such that a sphere 102mm(4") in diameter cannot pass through.
3. Where handrail extensions interfere with transverse walkways the horizontal portions shall not encroach but be turned away from stairs and parallel to walkway.
4. The top of guardrails for stairways, exclusive of their landings, may have a height as specified for handrails.

Revision	By	Approved	Date	SAN DIEGO REGIONAL STANDARD DRAWING	RECOMMENDED BY THE SAN DIEGO REGIONAL STANDARDS COMMITTEE
ORIGINAL		G.Parkinson	2/95		
Add Metric		T. Stanton	03/03	PEDESTRIAN PROTECTIVE RAILING DETAILS No. 2	 3/01/2003 Chairperson R.C.E. 19246 Date