

REVISION	BY	APPROVED	DATE
ORIGINAL*	BB	J. NAGELVOORT	01/12

CITY OF SAN DIEGO - STANDARD DRAWING

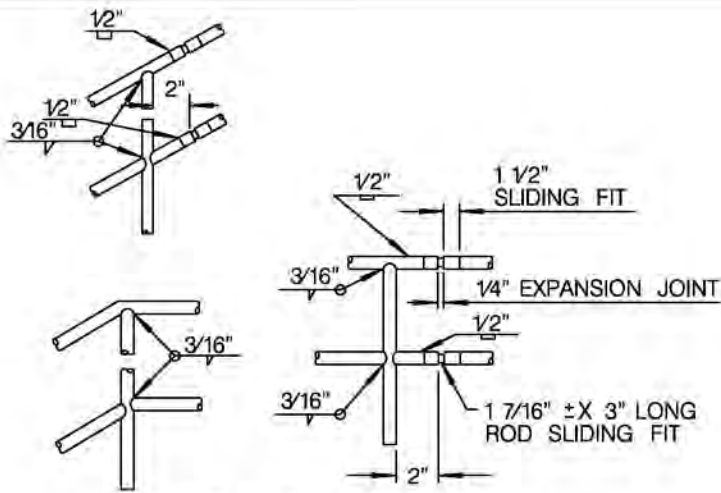
PEDESTRIAN PROTECTIVE RAILING & STAIR HANDRAIL

RECOMMENDED BY THE CITY OF SAN DIEGO STANDARDS COMMITTEE

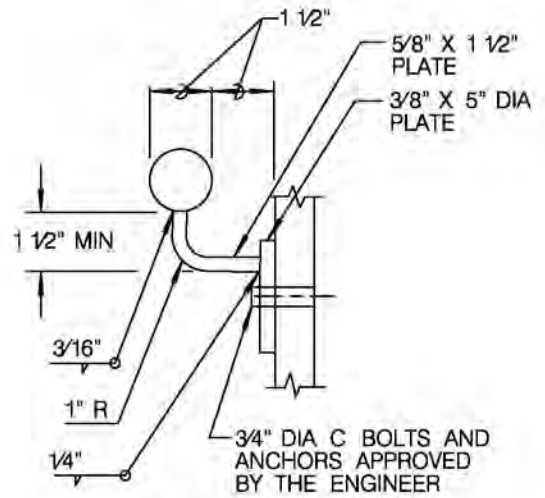
H. Hadli 1/31/2012

COORDINATOR R.C.E. 86271 DATE

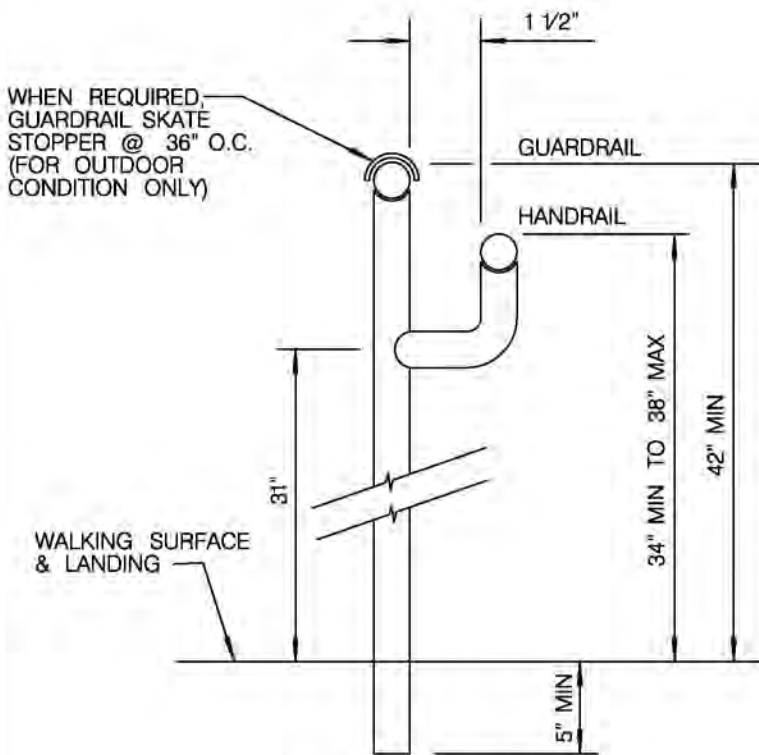
DRAWING NUMBER **SDM-118**



WELDING DETAILS



HANDRAIL BRACKET



PIPE GUARDRAIL

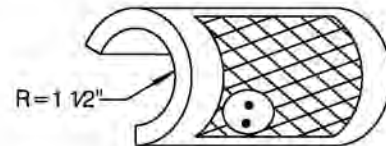


MOUNTING DETAIL*

*POST SHALL BE GROUTED IN PLACE USING NON-SHRINK GROUT.

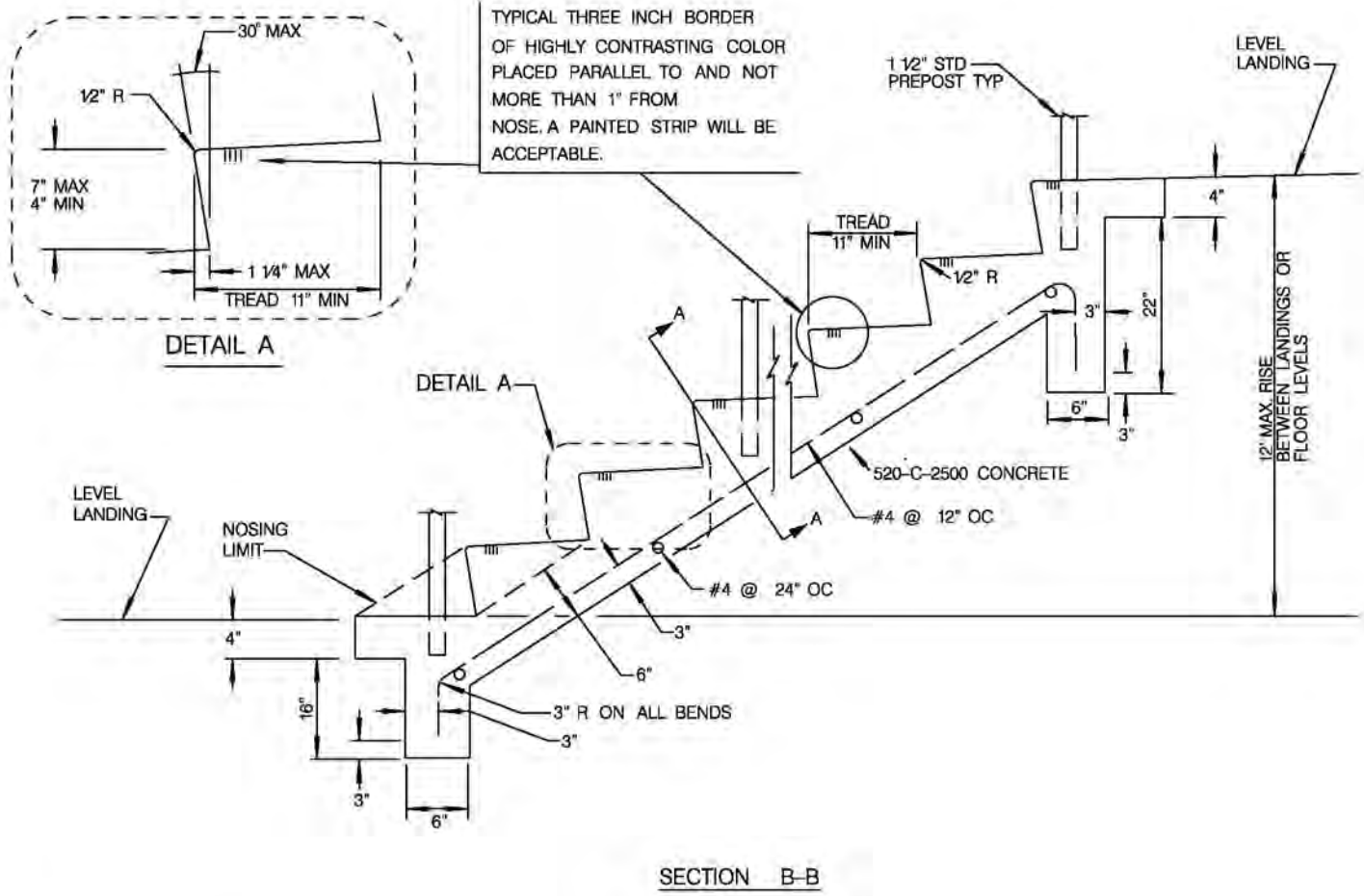
RAILING NOTES

1. 1/4" EXPANSION JOINTS @ 16' CNETERS.
2. WELD AND GRIND SMOOTH ALL CONNECTIONS.
3. ALL RAILING TO BE HOT DIP GALVANIZED AFTER FABICATION.
4. PIPE SHALL BE SEAMLESS STEEL ASTM A53 GRADE B.
5. INSTALL HANDRAILS ON BOTH SIDES.
6. STAIRS AND LANDINGS THAT ARE OPEN ON ONE OR BOTH SIDES AND MORE THAN 30" ABOVE THE ADJACENT GROUND SHALL BE PROVIDED WITH GUARDRAIL.



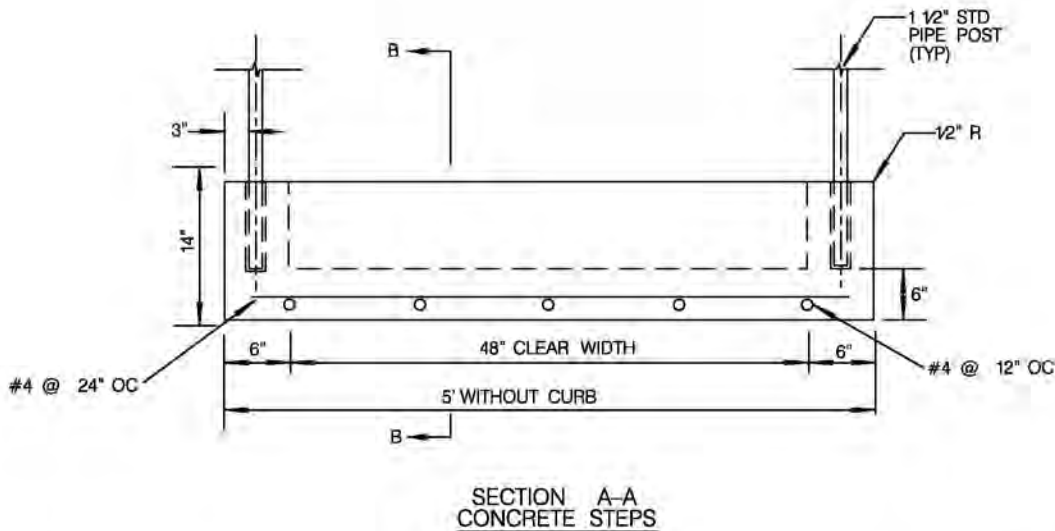
ALUMINUM GUARDRAIL SKATE STOPPER

REVISION	BY	APPROVED	DATE	CITY OF SAN DIEGO - STANDARD DRAWING	RECOMMENDED BY THE CITY OF SAN DIEGO STANDARDS COMMITTEE	
UPDATE	KA	J. NAGELVOORT	01/12		<i>H. Hadji</i>	1/31/2012
				PEDESTRIAN PROTECTIVE RAILING & STAIR HANDRAIL	COORDINATOR R.C.E. 86271 DATE	
					DRAWING NUMBER	SDM-118



NOTES

1. BROOM FINISH ON TREADS, TROWEL FINISH ON ALL OTHER EXPOSED SURFACES.
2. 1/4" PER 1' SLOPE ON TREADS FOR DRAINAGE.



REVISION	BY	APPROVED	DATE
UPDATED	KA	J. NAGELVOORT	01/12

CITY OF SAN DIEGO - STANDARD DRAWING

RECOMMENDED BY THE CITY OF SAN DIEGO STANDARDS COMMITTEE

H. Hadji 1/31/2012
 COORDINATOR R.C.E. 85271 DATE

PEDESTRIAN PROTECTIVE RAILING & STAIR HANDRAIL

DRAWING NUMBER **SDM-118**