
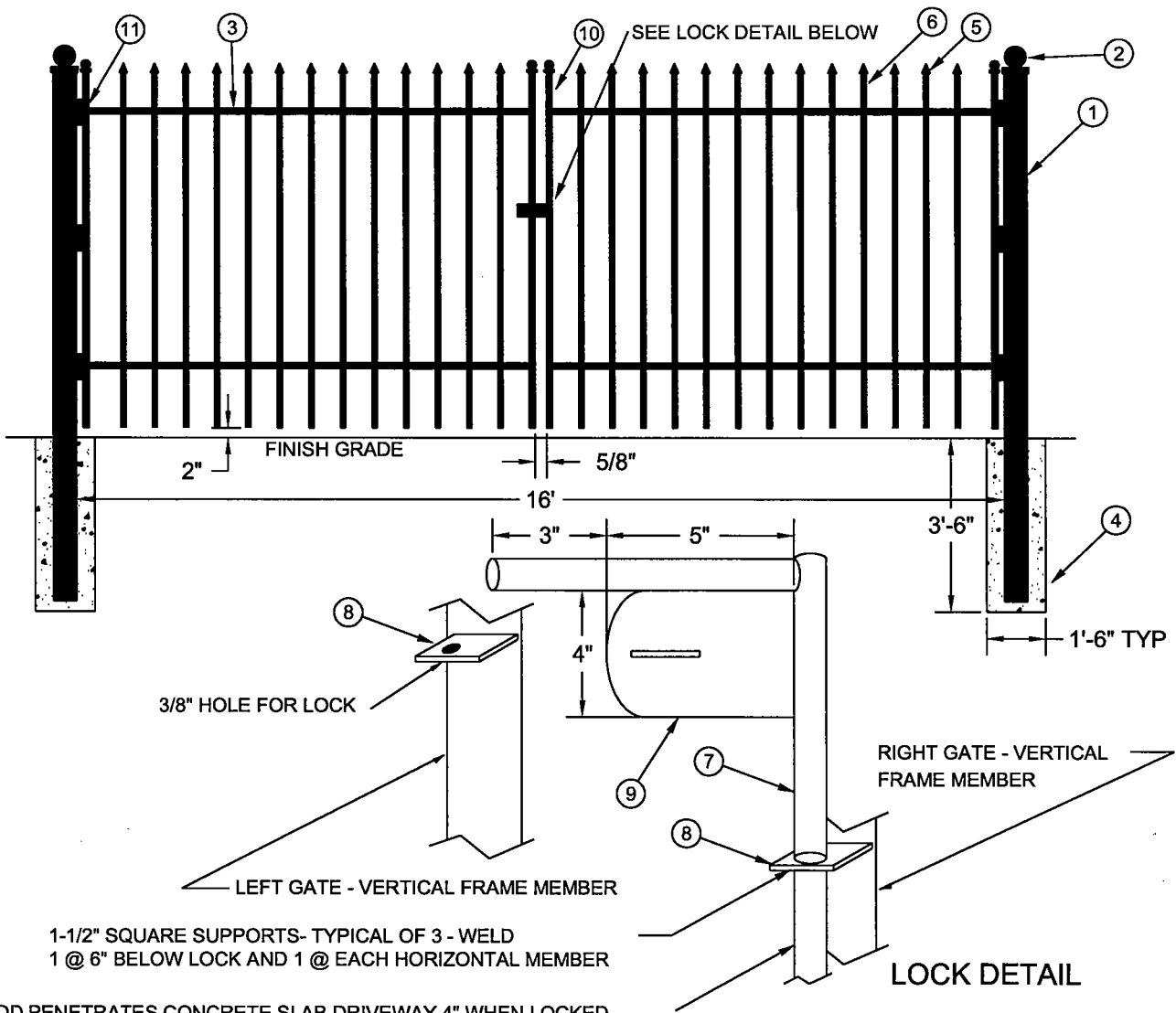


- ① 8' SECTION - 6' HIGH WROUGHT IRON FENCE
- ② 2-1/2" BALL
- ③ 2-1/2" SQUARE LINE POST (.250" WALL THICKNESS)
- ④ 5 SACK CONCRETE (3/4" ROCK)
- ⑤ 1" SPEAR HEAD
- ⑥ 1-1/2" SQUARE TUBING W/ WELDED END PLATES
- ⑦ 3/4" SOLID ROUND STOCK
- ⑧ 1/4" x 1-1/2" BAR STOCK
- ⑨ 1" SQUARE TUBE (.090" WALL)
- ⑩ HORIZONTAL MEMBERS - 1-1/2" SQUARE TUBE (.125" WALL)
- ⑪ 6" BARREL HINGE - TYP. OF TWO

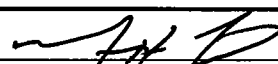
		SAN BERNARDINO MUNICIPAL WATER DEPARTMENT		DRAWING NUMBER
		WROUGHT IRON FENCE AND GATE DETAIL		SBMWD
M.H.L.	FEB. 04	APPROVED 		W6.12 A
REVISION	DATE			
SCALE: NONE		MATTHEW H. LITCHFIELD RCE 58079		



1-1/2" SQUARE SUPPORTS- TYPICAL OF 3 - WELD
 1 @ 6" BELOW LOCK AND 1 @ EACH HORIZONTAL MEMBER

ROD PENETRATES CONCRETE SLAB DRIVEWAY 4" WHEN LOCKED

- ① DRIVE GATE POST - 4" SQUARE TUBING (.250" WALL)
- ② 4" BALL
- ③ HORIZONTAL FRAME MEMBER - 1-1/2" SQUARE TUBING (.125" WALL)
- ④ 5 SACK CONCRETE (3/4" ROCK)
- ⑤ 1" SPEAR HEAD
- ⑥ VERTICAL MEMBERS - 1" SQUARE TUBING (.090 WALL)
- ⑦ 3/4" SOLID ROUND STOCK
- ⑧ 1/4" x 1-1/2" BAR STOCK (CUT TO 1-1/2" x 1-1/2")
- ⑨ 1/4" STEEL PLATE
- ⑩ VERTICAL FRAME MEMBER 1-1/2" SQUARE TUBE (.125" WALL)
- ⑪ 6" BARREL HINGE - 3 PER GATE (1@ EACH HORIZONTAL MEMBER & 1 AT CENTER)

		SAN BERNARDINO MUNICIPAL WATER DEPARTMENT		DRAWING NUMBER
		WROUGHT IRON DRIVE SWING GATE DETAIL		SBMWD
M.H.L.	FEB. 04			W6.12 B
REVISION	DATE	APPROVED		DATE <u>8-25-04</u>
SCALE:	NONE	MATTHEW H. LITCHFIELD RCE 58079		