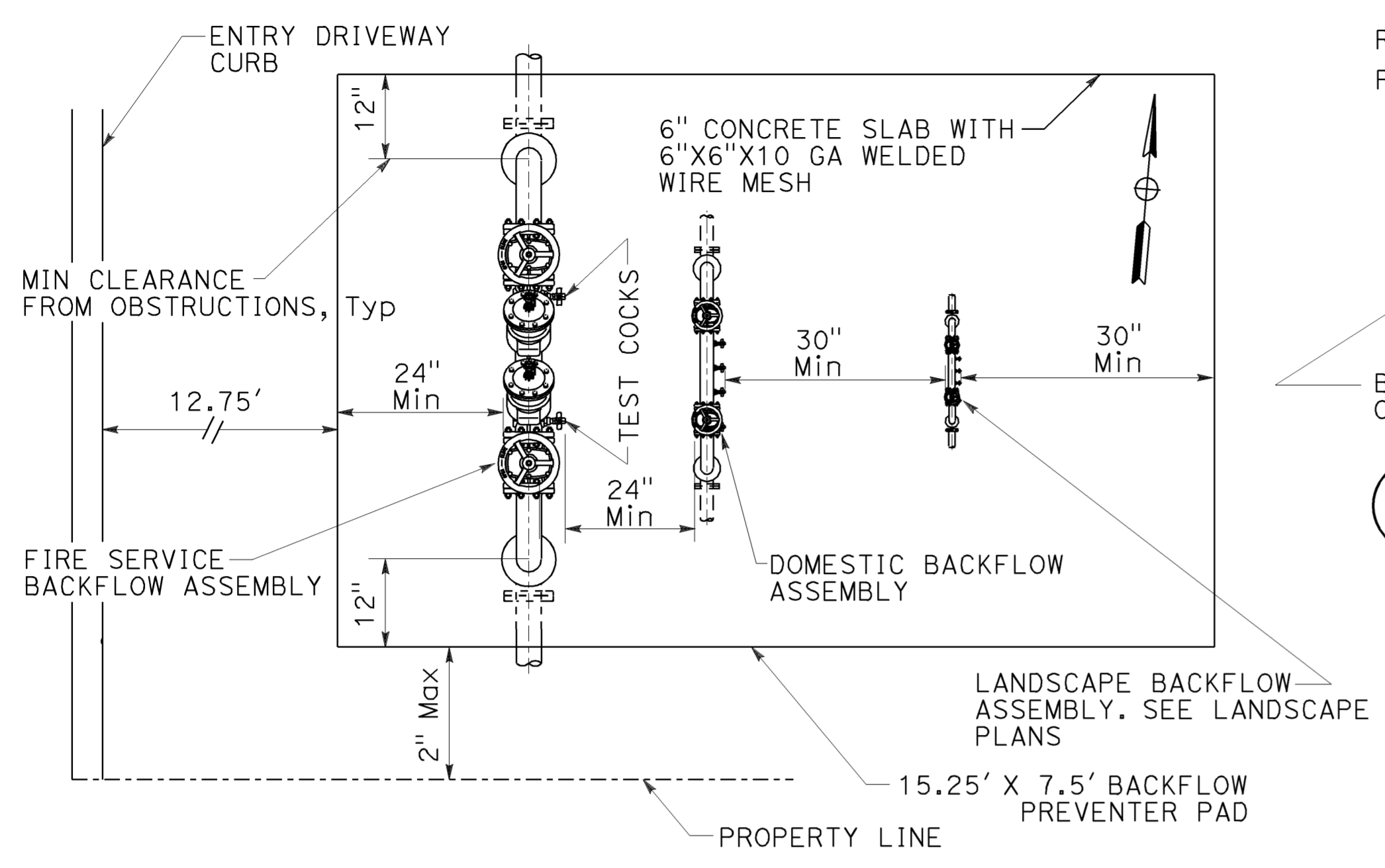
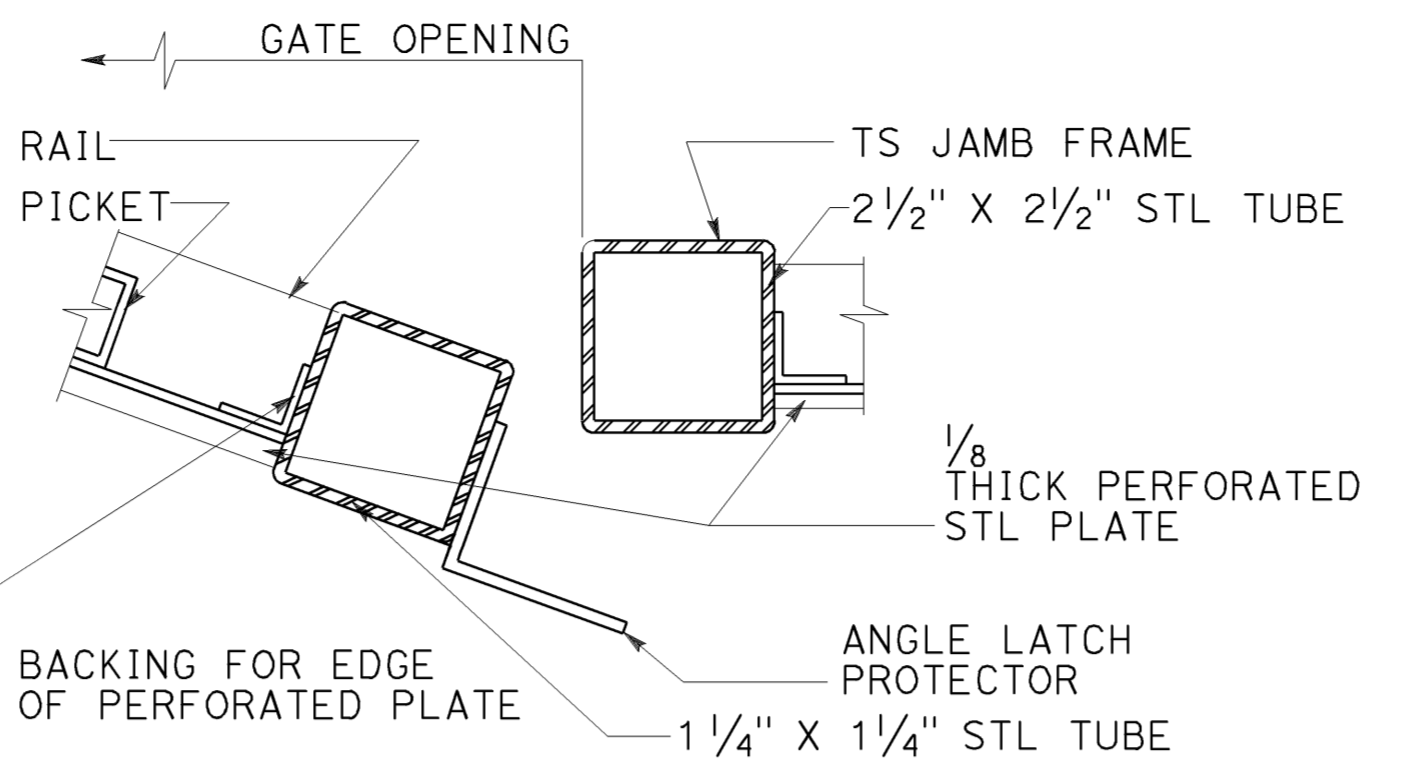


Dist	COUNTY	LOCATION CODE	POST MILES TOTAL PROJECT	SHEET No.	TOTAL SHEETS
08	SBd	5730		11	749
<i>Marielle L. Coquia</i> 2-23-07 REGISTERED CIVIL ENGINEER DATE			PROFESSIONAL ENGINEER MARIELLE L. COQUIA No. C-54906 Exp. 6-30-08 CIVIL STATE OF CALIFORNIA		
9-24-07			PLANS APPROVAL DATE		
THE STATE OF CALIFORNIA OR ITS OFFICERS OR AGENTS SHALL NOT BE RESPONSIBLE FOR THE ACCURACY OR COMPLETENESS OF ELECTRONIC COPIES OF THIS PLAN SHEET.					
CH2M HILL 3 HUTTON CENTER DRIVE, SUITE 200 SANTA ANA, CA 92707					

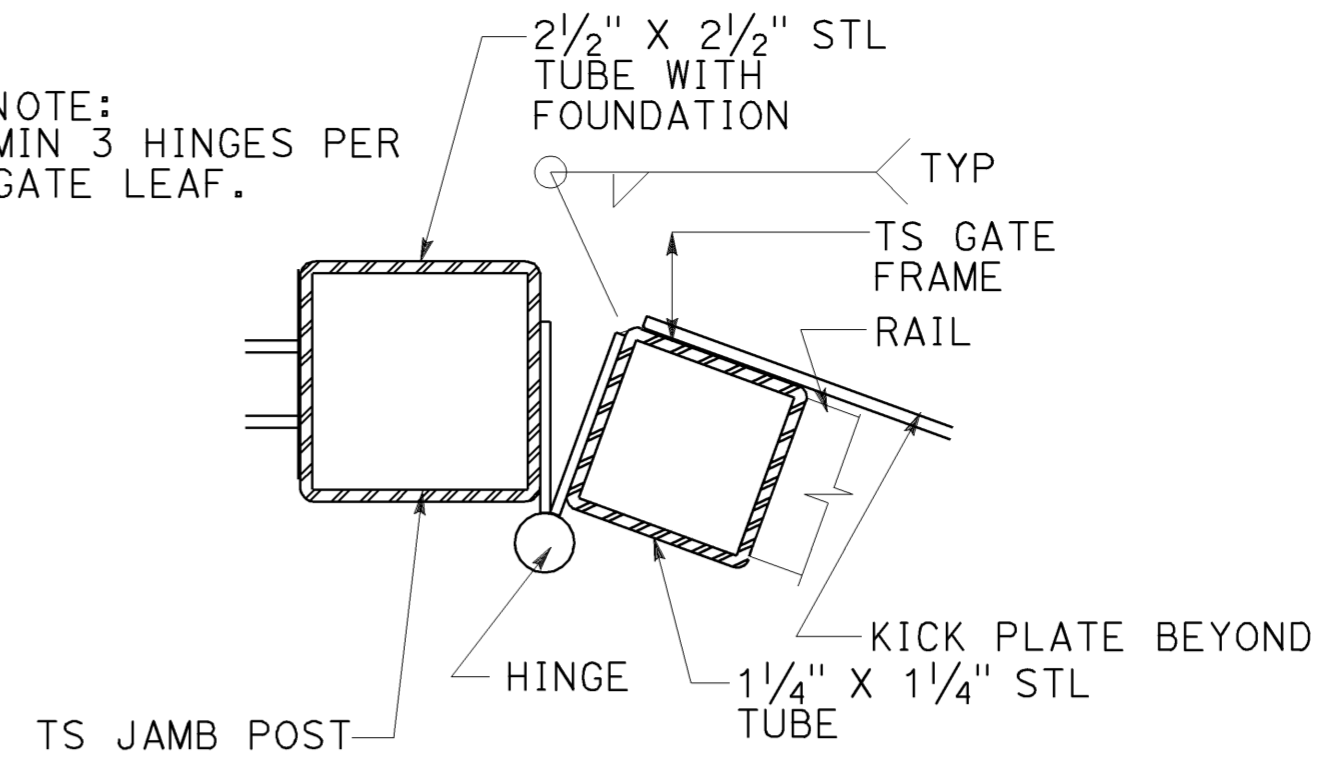
IDENTIFICATION STAMP
 DIV. OF THE STATE ARCHITECT
 SACRAMENTO REGIONAL OFFICE
02-108725
 AC *all*
 DATE 05-18-07



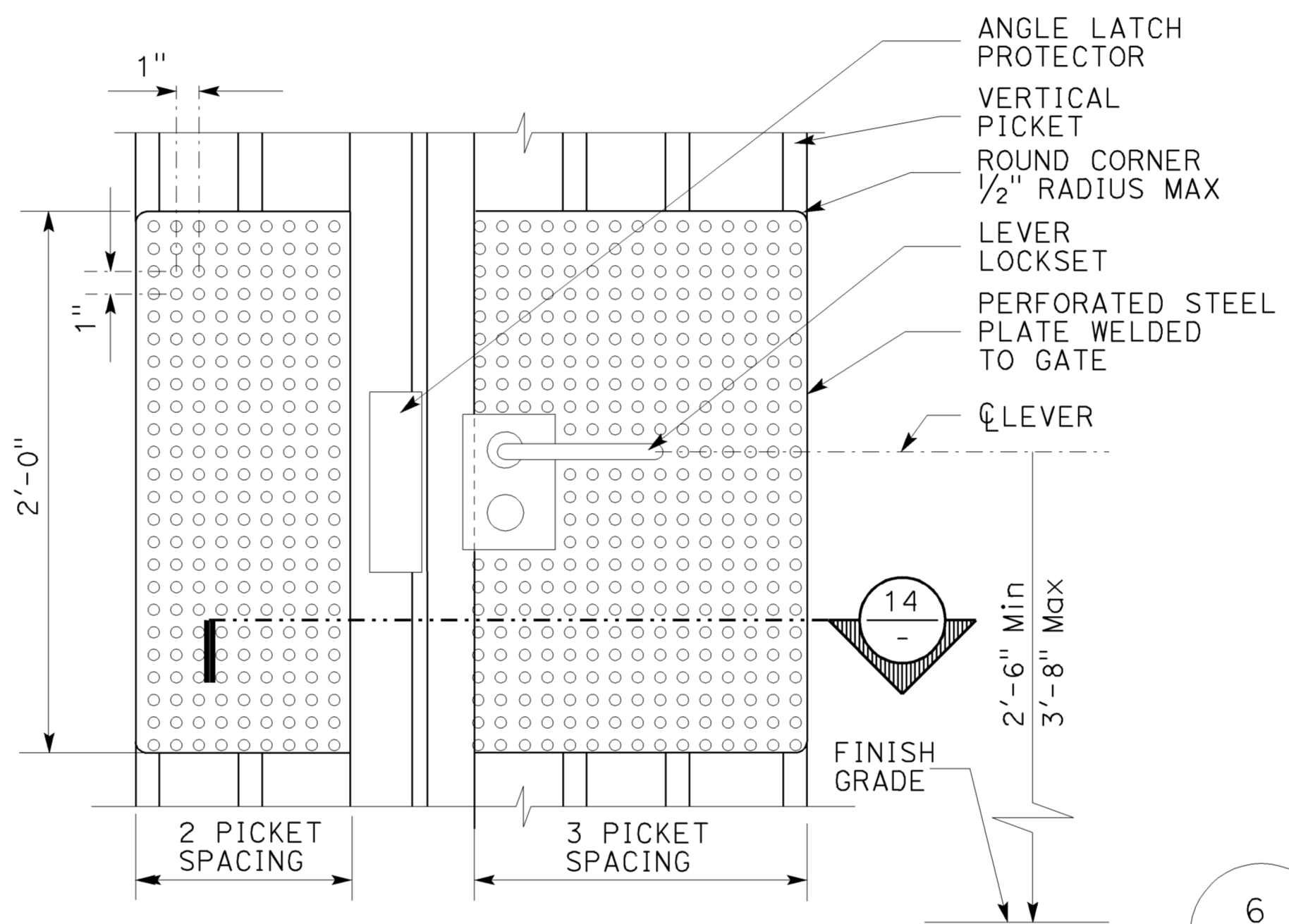
13 BACKFLOW PREVENTER CONCRETE SLAB



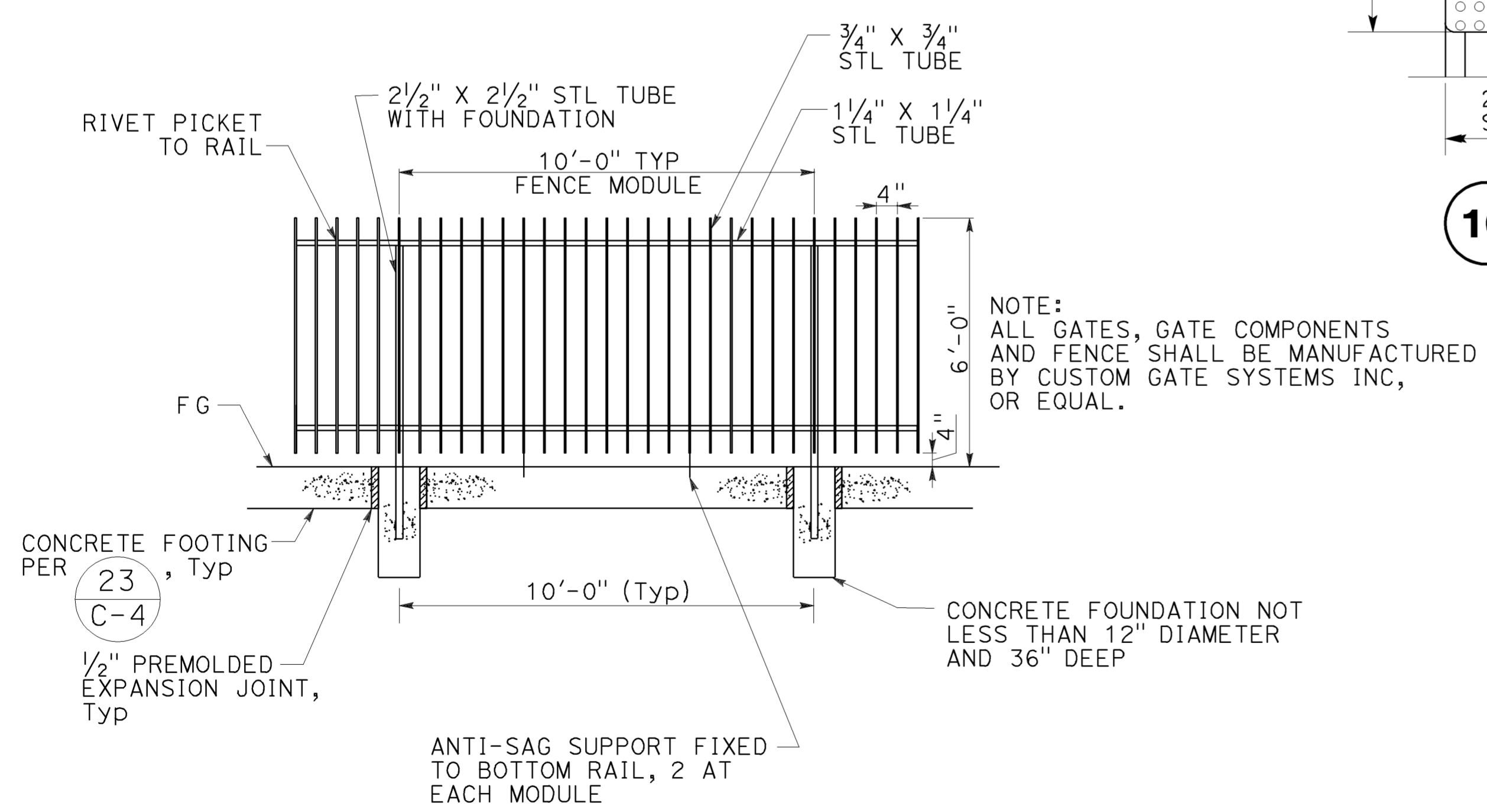
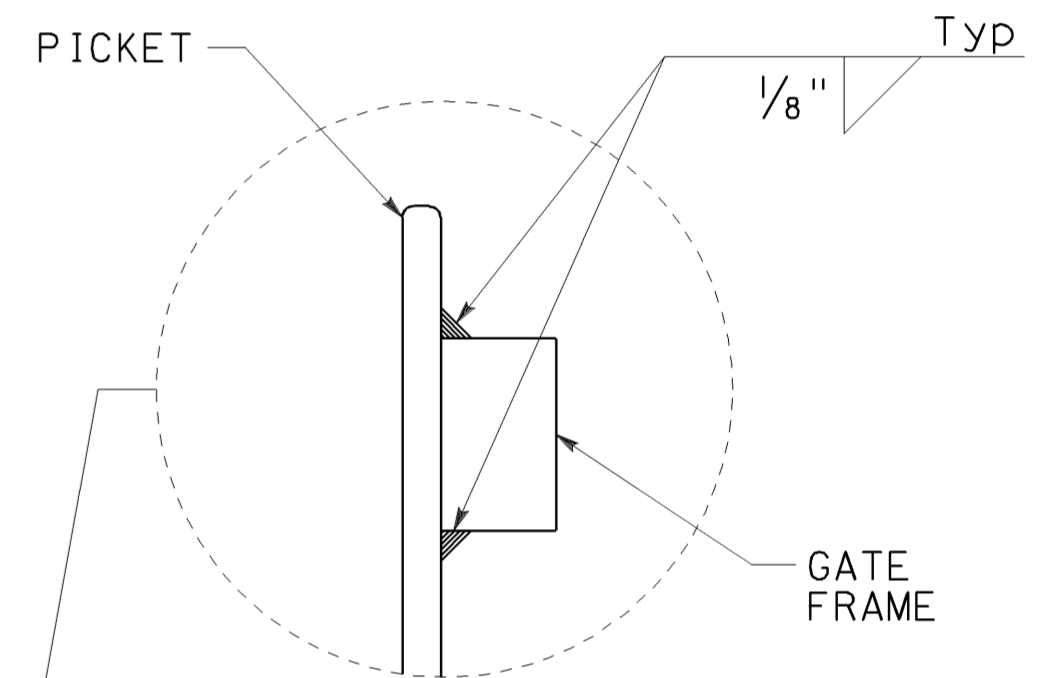
14 HINGE GATE - STRIKE



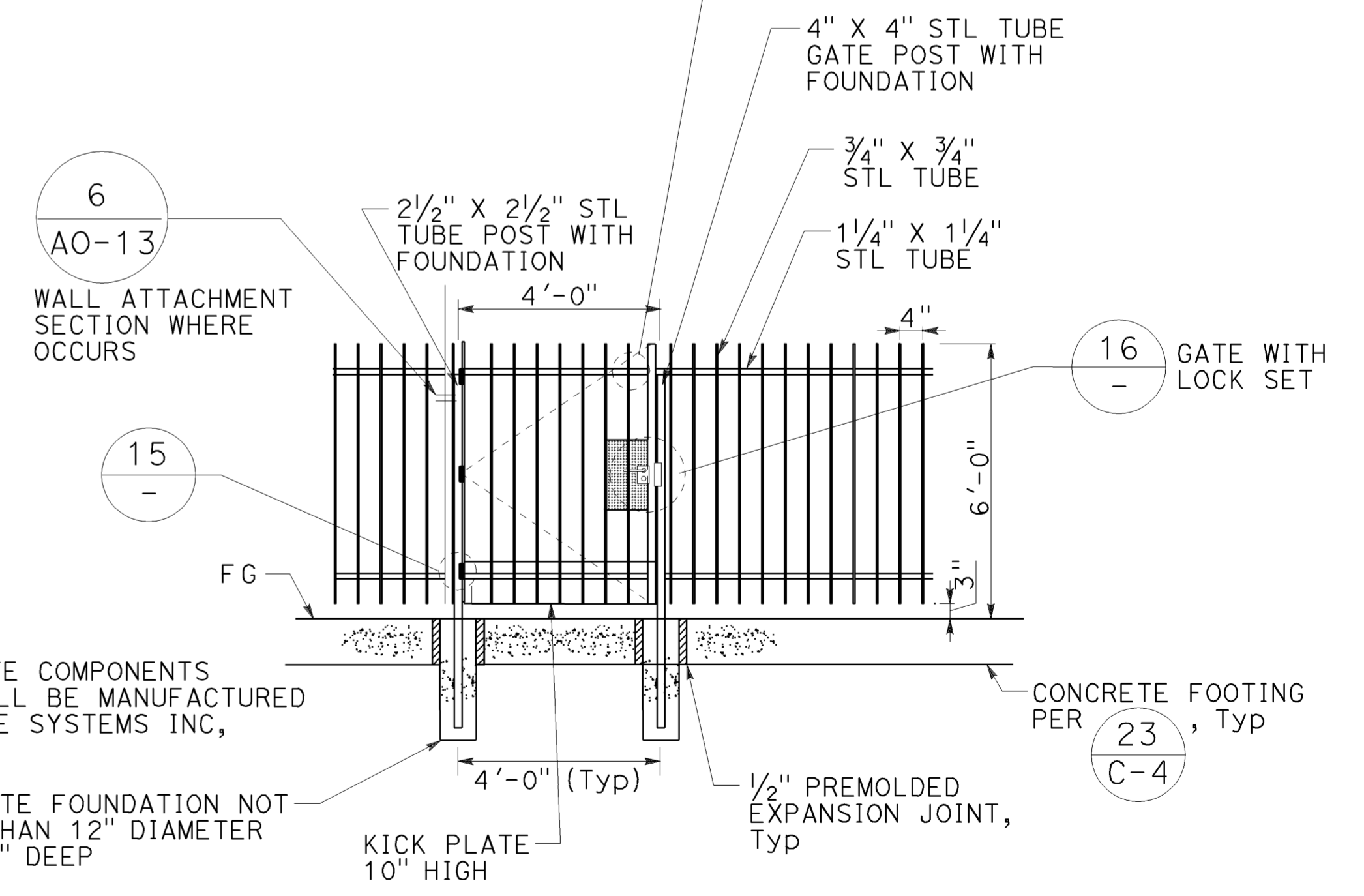
15 HINGE GATE - JAMB



16 SWING GATE LOCK



17 Typ ORNAMENTAL FENCE SECTION



19 4' PEDESTRIAN SWING GATE

STATE OF CALIFORNIA - DEPARTMENT OF TRANSPORTATION
 FUNCTIONAL SUPERVISOR
SERGIO AVILA
 REVISOR BY DATE REVISION
 CALCULATED BY DESIGNED BY
 CHECKED BY
 BORDER LAST REVISED 3/1/2007



USERNAME => trpiece
 DGN FILE => 80h282ga003.dgn

CU 08-222 EA 0H2821

LAST REVISION DATE PLOTTED => 28-SEP-2007
 06-13-07 TIME PLOTTED => 14:23

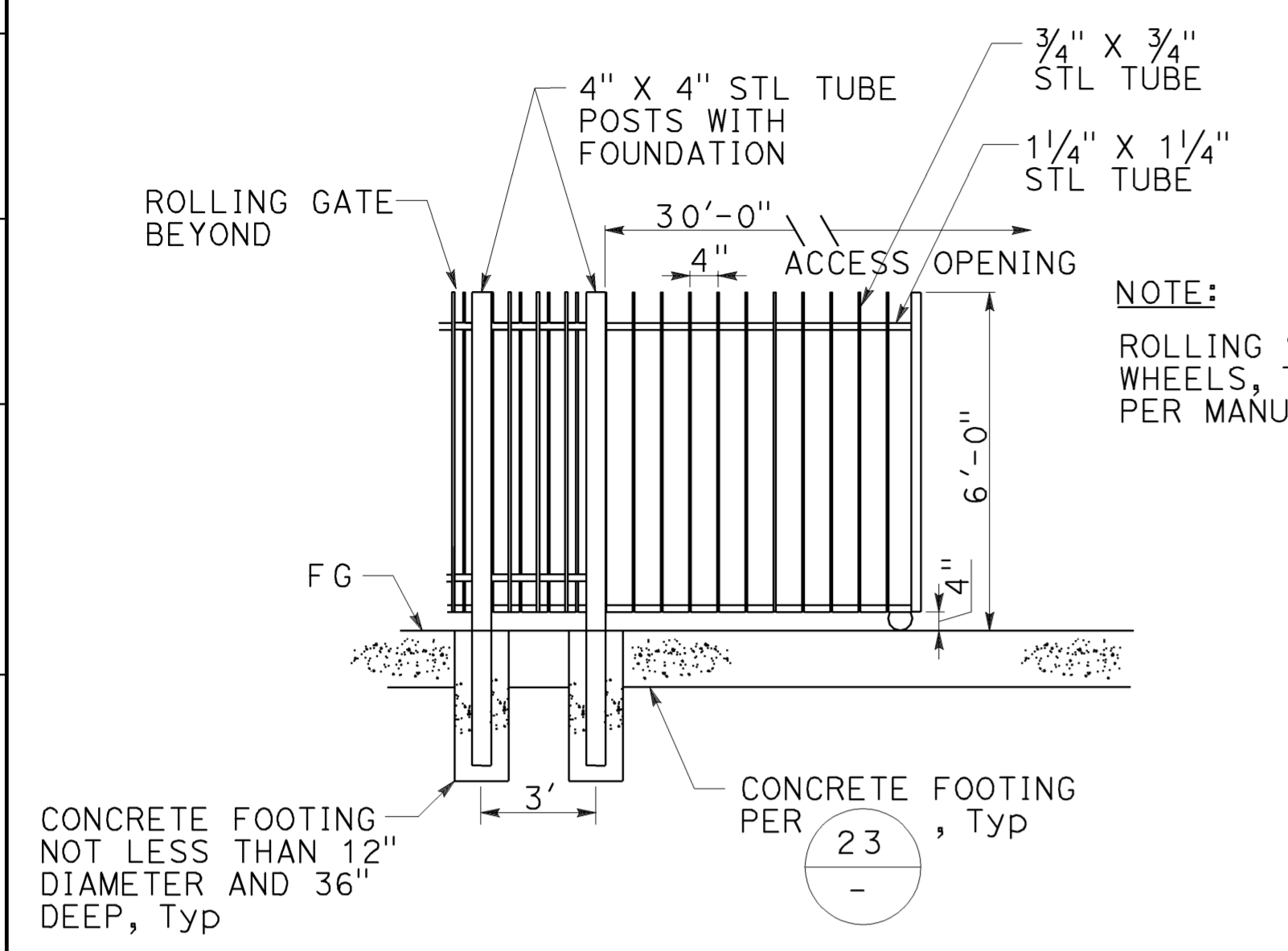
Dist	COUNTY	LOCATION CODE	POST MILES TOTAL PROJECT	SHEET No.	TOTAL SHEETS
08	SBd	5730		12	749

<i>Marielle L. Coquia</i>	2-23-07
REGISTERED CIVIL ENGINEER	DATE
9-24-07	
PLANS APPROVAL DATE	

REGISTERED PROFESSIONAL ENGINEER
MARIELLE L. COQUIA
No. C-54906
Exp. 6-30-08
CIVIL

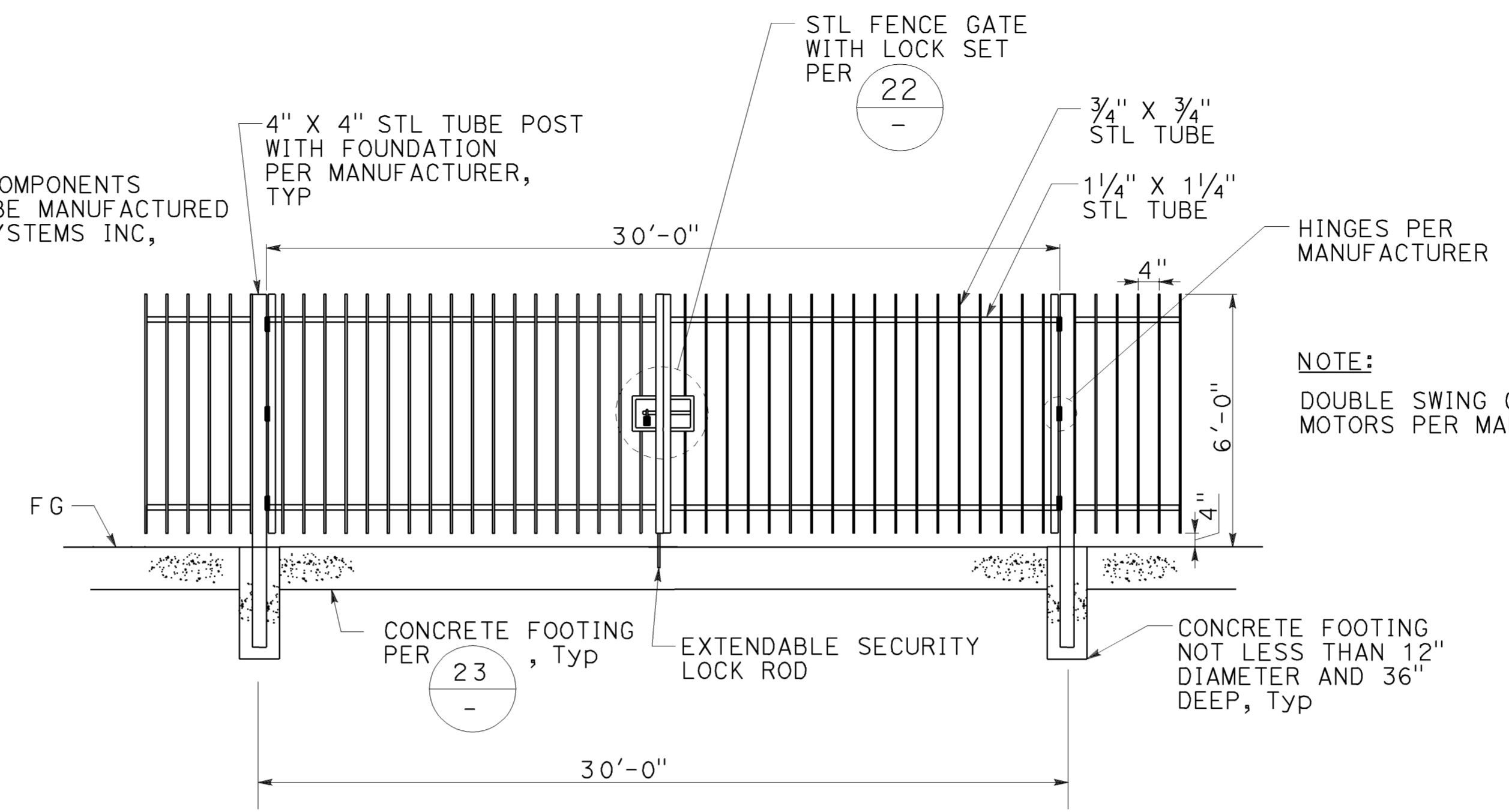
CH2M HILL
3 HUTTON CENTER DRIVE, SUITE 200
SANTA ANA, CA 92707

IDENTIFICATION STAMP
DIV. OF THE STATE ARCHITECT
SACRAMENTO REGIONAL OFFICE
02-108725
AC *all*
DATE 05-18-07



NOTE:
ALL GATES, GATE COMPONENTS AND FENCE SHALL BE MANUFACTURED BY CUSTOM GATE SYSTEMS INC, OR EQUAL.

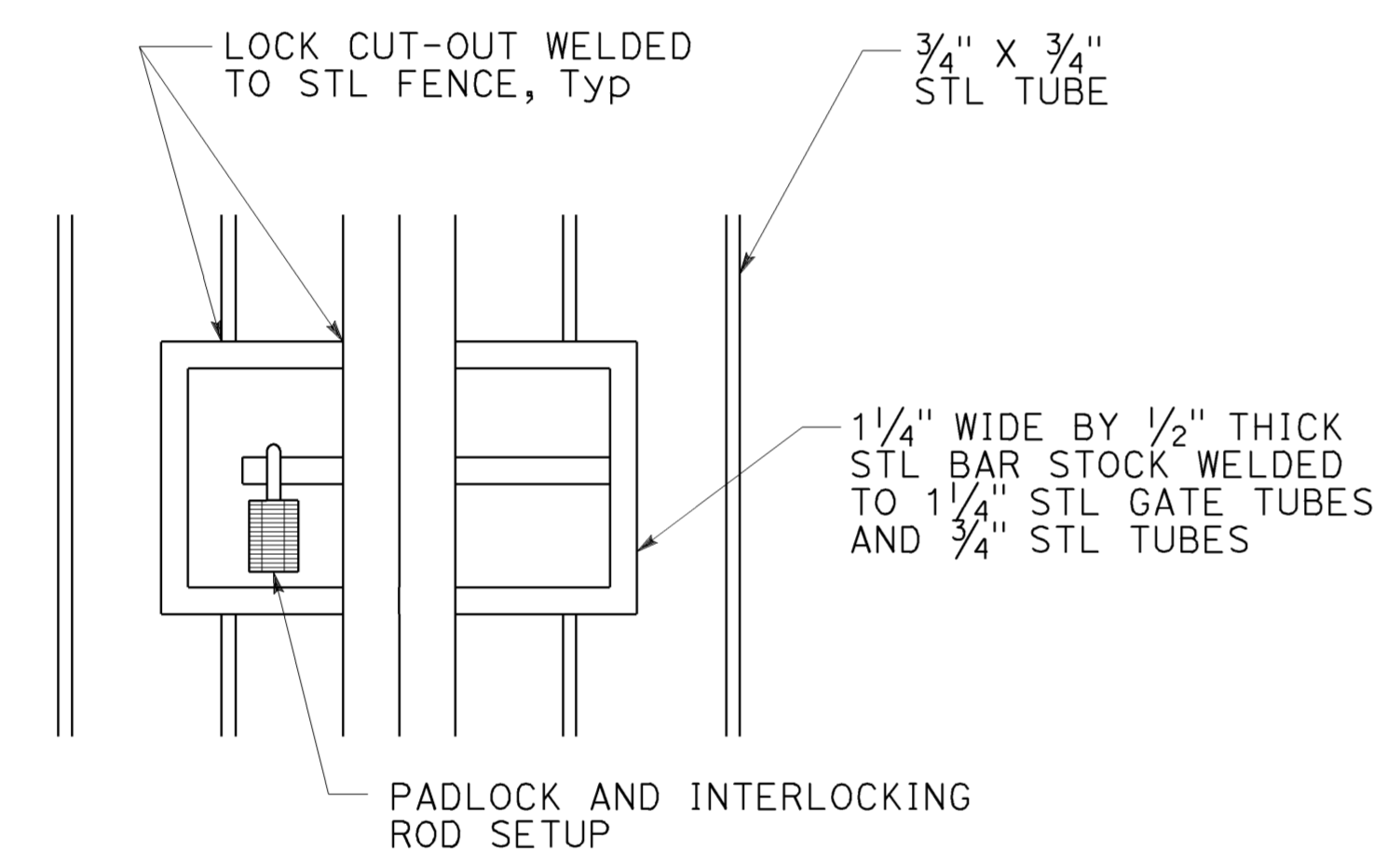
NOTE:
ROLLING STL FENCE GATE, WHEELS, TRACK AND MOTOR PER MANUFACTURER



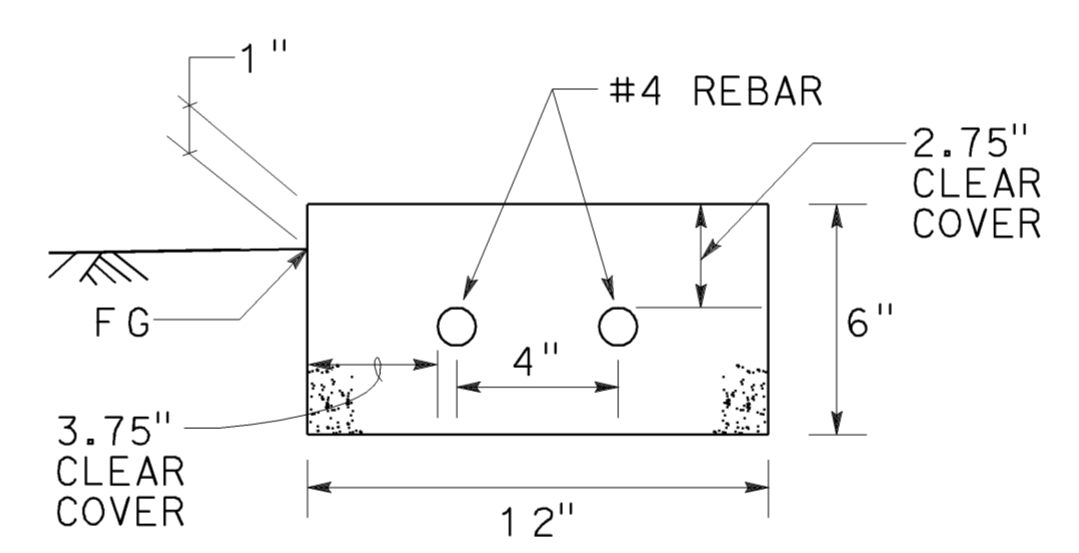
NOTE:
DOUBLE SWING GATE MOTORS PER MANUFACTURER

20 MOTORIZED ROLLING VEHICLE GATE

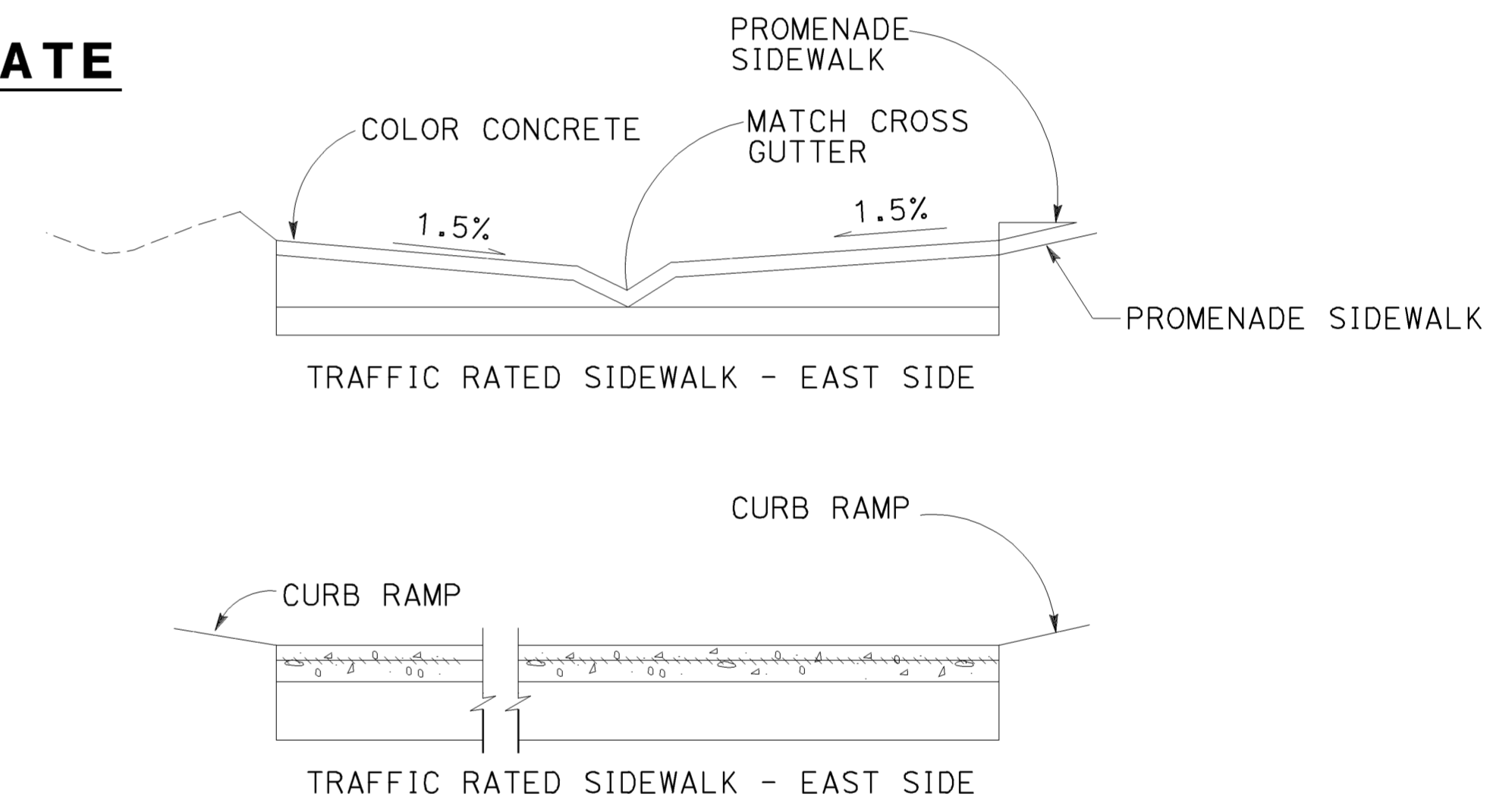
21 MOTORIZED DOUBLE SWING GATE



22 DOUBLE SWING GATE LOCK CUT-OUT

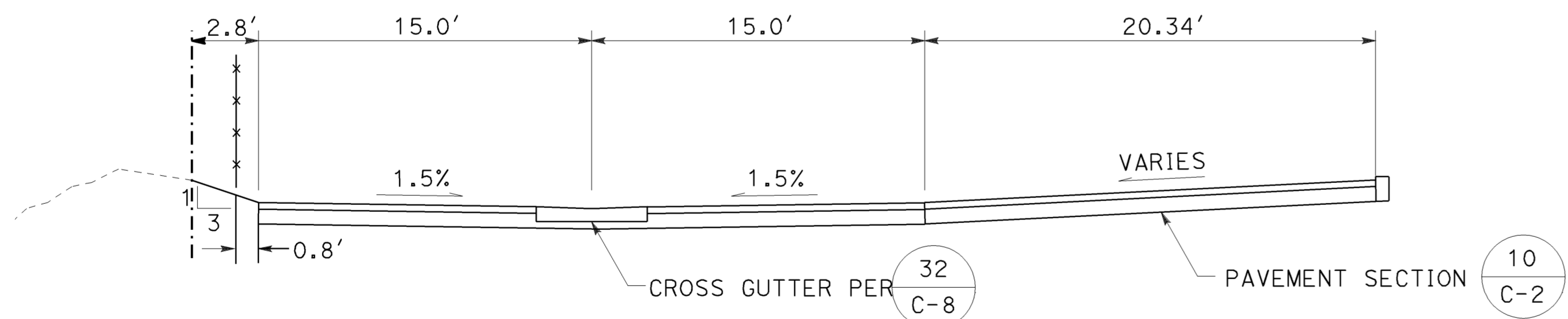


23 CONCRETE FENCE FOOTING



NOTES:
1. SLAB EXPANSION JOINTS SHALL BE AT 24'-0" Max

25 TRAFFIC - RATED SIDEWALK



24 SECTION

CONSTRUCTION DETAILS
NO SCALE
C-4

STATE OF CALIFORNIA - DEPARTMENT OF TRANSPORTATION
Caltrans
FUNCTIONAL SUPERVISOR
SERGIO AVILA
REVISOR BY DATE
CALCULATED/DESIGNED BY
CHECKED BY